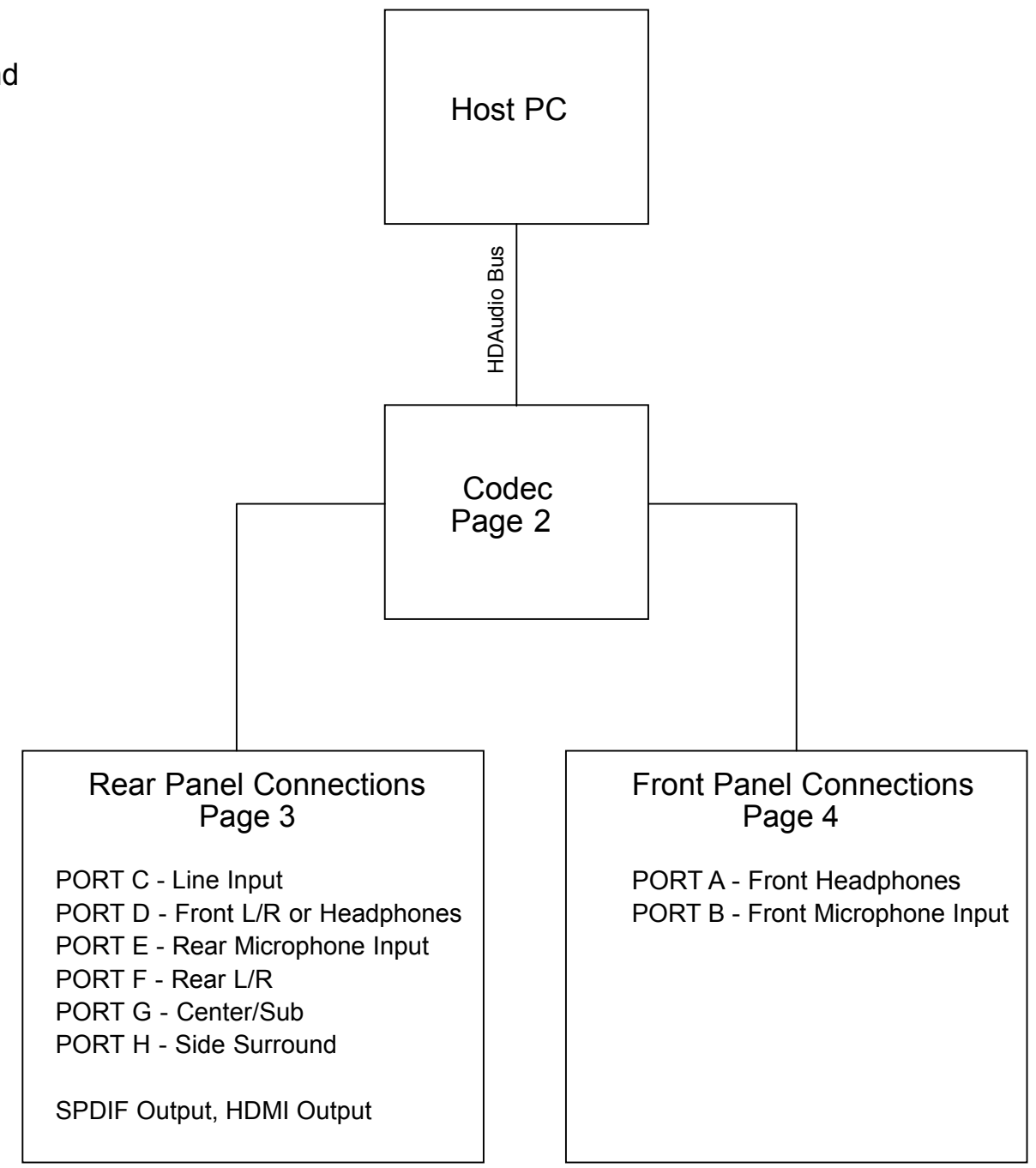
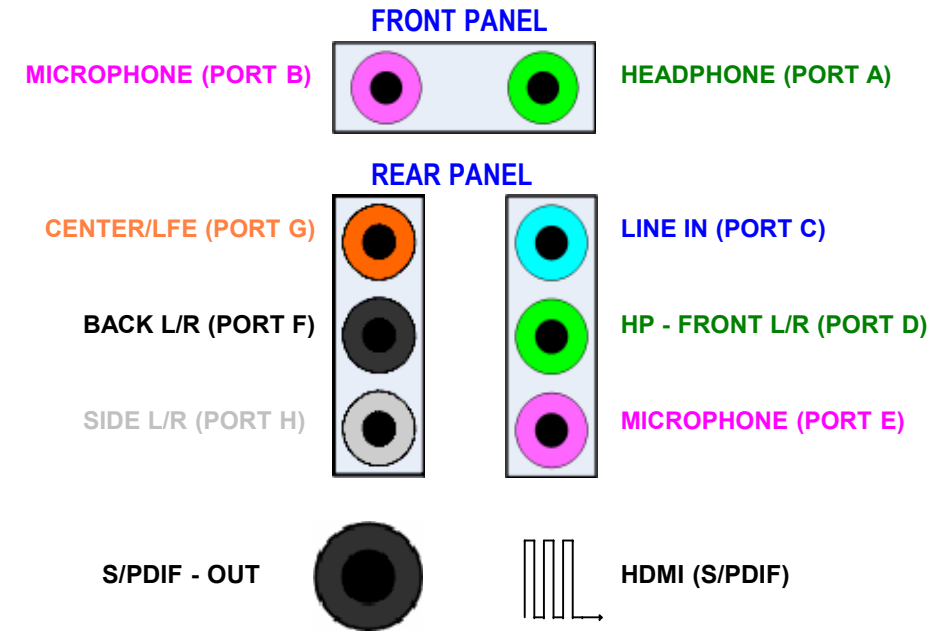


TEMPO 92HD73E1X5/92HD73D1X5 BASIC REFERENCE DESIGN

The TEMPO 92HD73E1X5 (10-channel) and 92HD73D1X5 (8-channel) are a family of High Definition Audio (HDA) codecs.

This schematic shows a basic reference design for a system supporting multi-streaming with 7.1 surround sound. The front panel connector supports a headphone output and MIC input for real-time communications, and the rear panel jacks have 7.1 surround sound output and two additional inputs. Check with your Tempo support representative for examples and requirements of other applications.



REV	DATE	DESCRIPTION	CHANGED BY
X	06Mar15	Tempo Update	KAL

Tempo Semiconductor, Inc.
8627 N. Mopac Expy.
Suite 130
Austin, TX 78759
tel: (512) 827-3440
fax: (512) 318-2478

Title
OVERVIEW

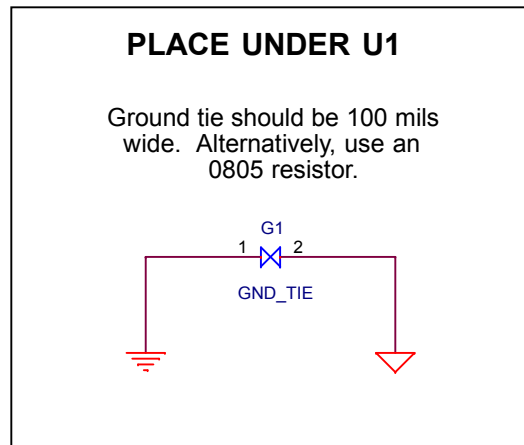
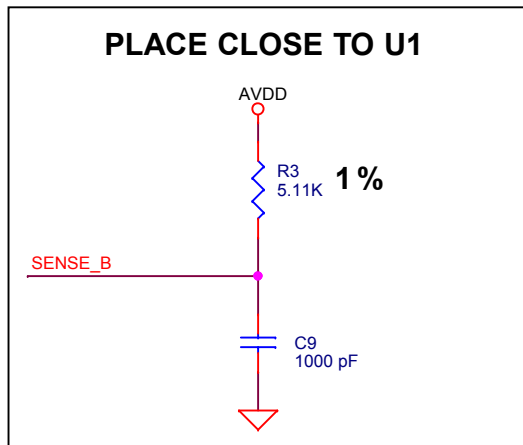
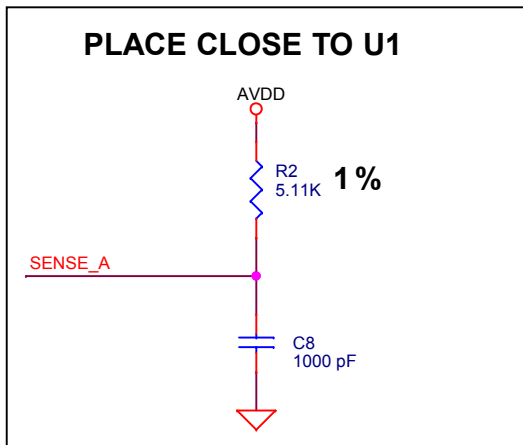
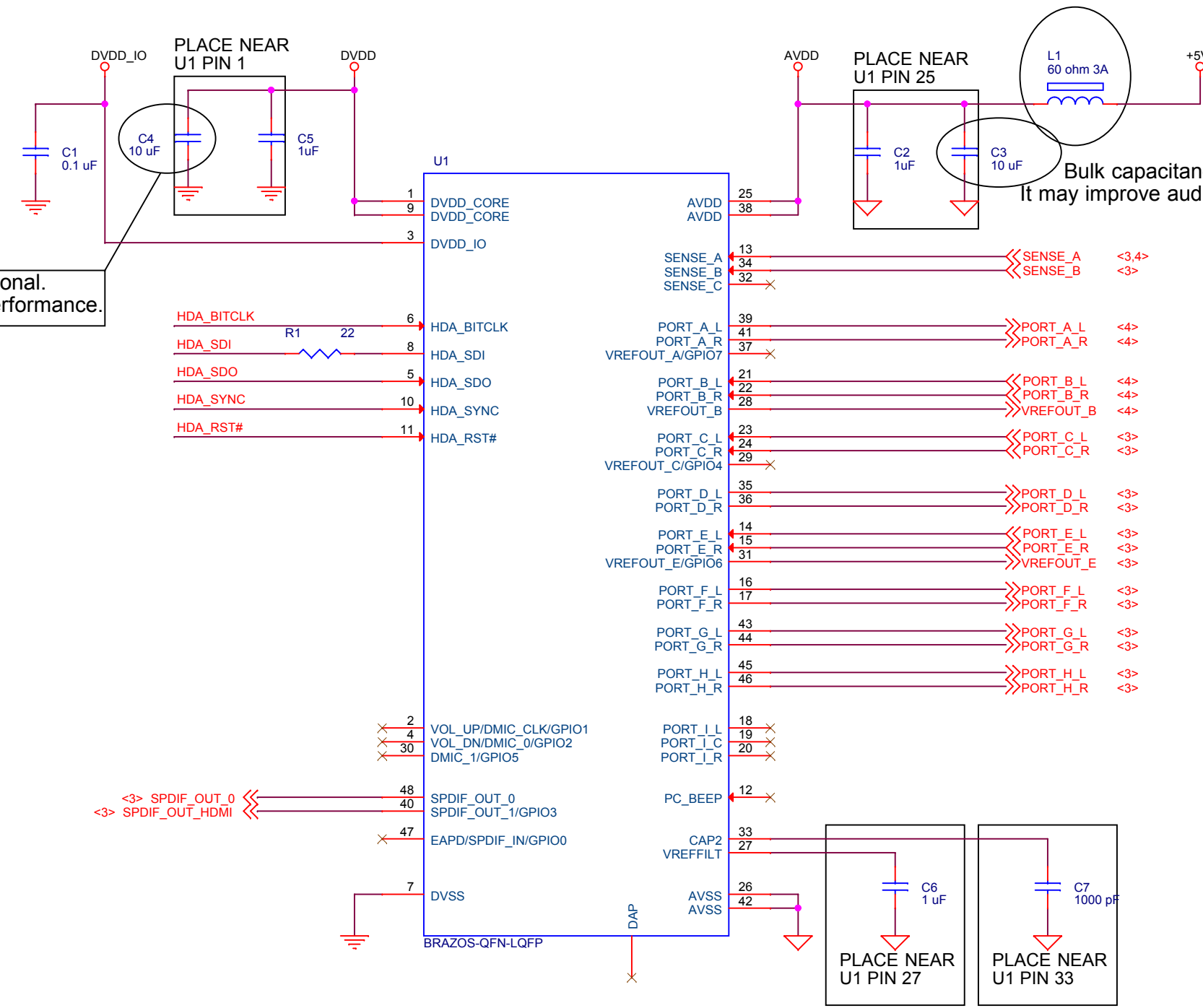
Size	Rev	Document Number	HDA PC Audio
Custom X		IDT 92HD73x Basic Reference Design	


Date: Friday, March 06, 2015

Bulk capacitance is optional. It may improve audio performance.

L1 is optional. It may improve the audio performance.

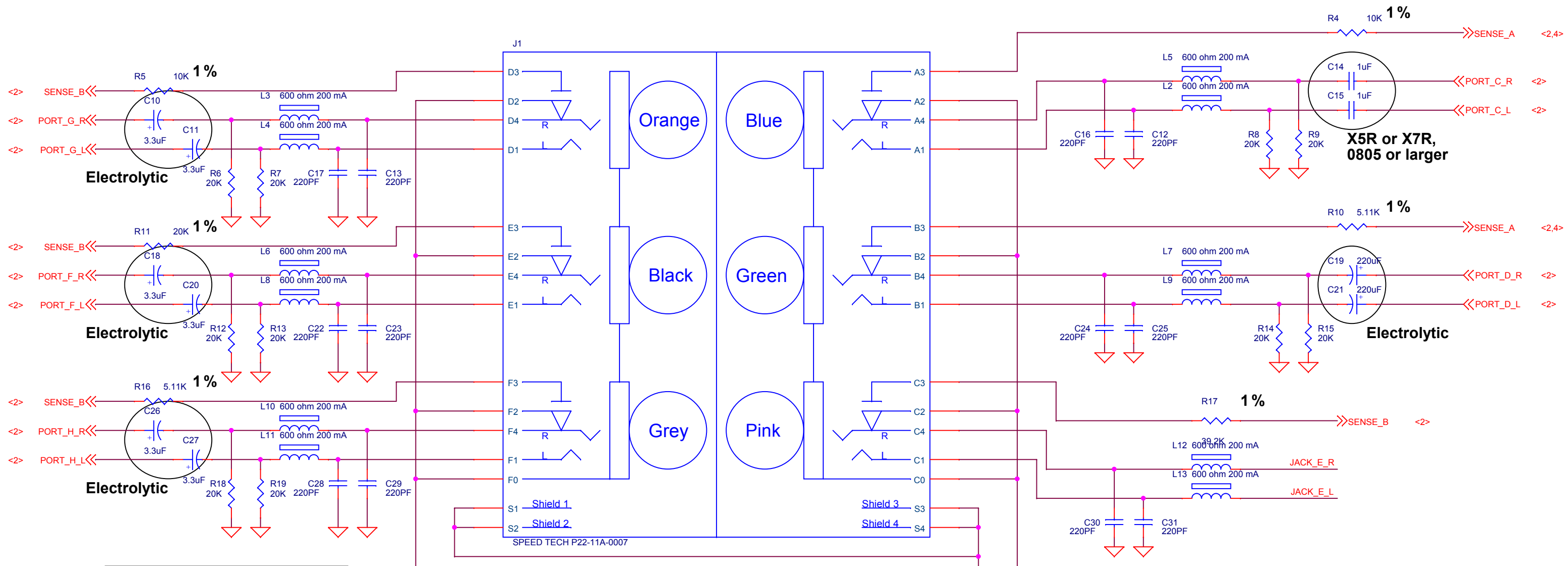
Bulk capacitance is optional. It may improve audio performance.



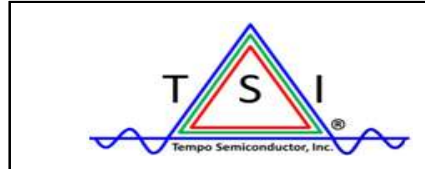
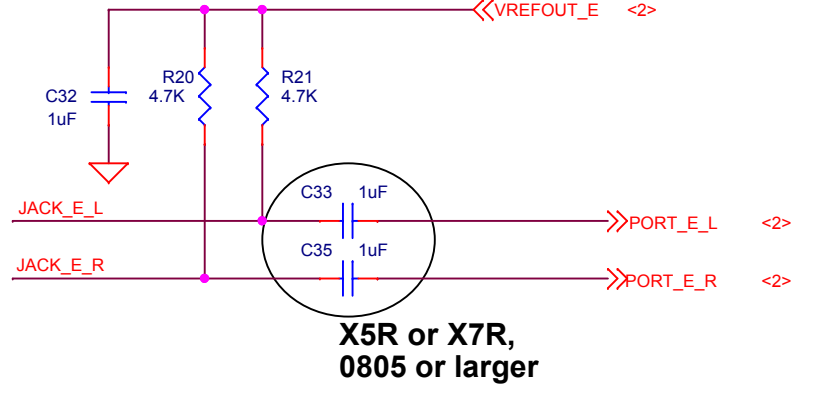
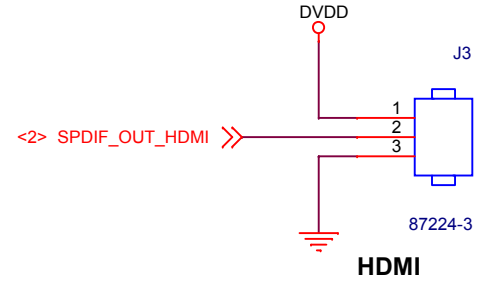
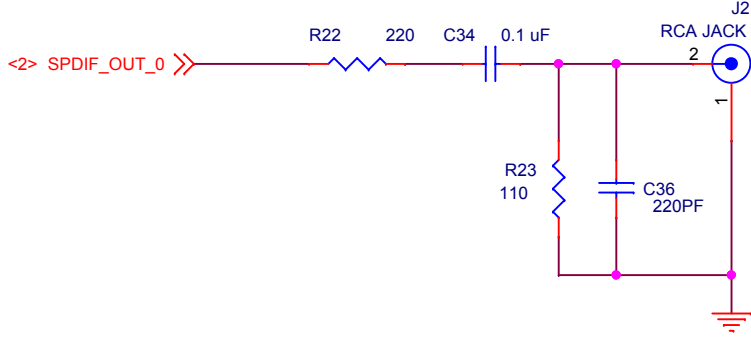


Tempo Semiconductor, Inc.
 8627 N. Mopac Expy.
 Suite 130
 Austin, TX 78759
 tel: (512) 827-3440
 fax: (512) 318-2478

Title CODEC			
Size Custom X	Rev X	Document Number IDT 92HD73x Basic Reference Design	HDA PC Audio
Date: Friday, March 06, 2015			Sheet 2 of 4

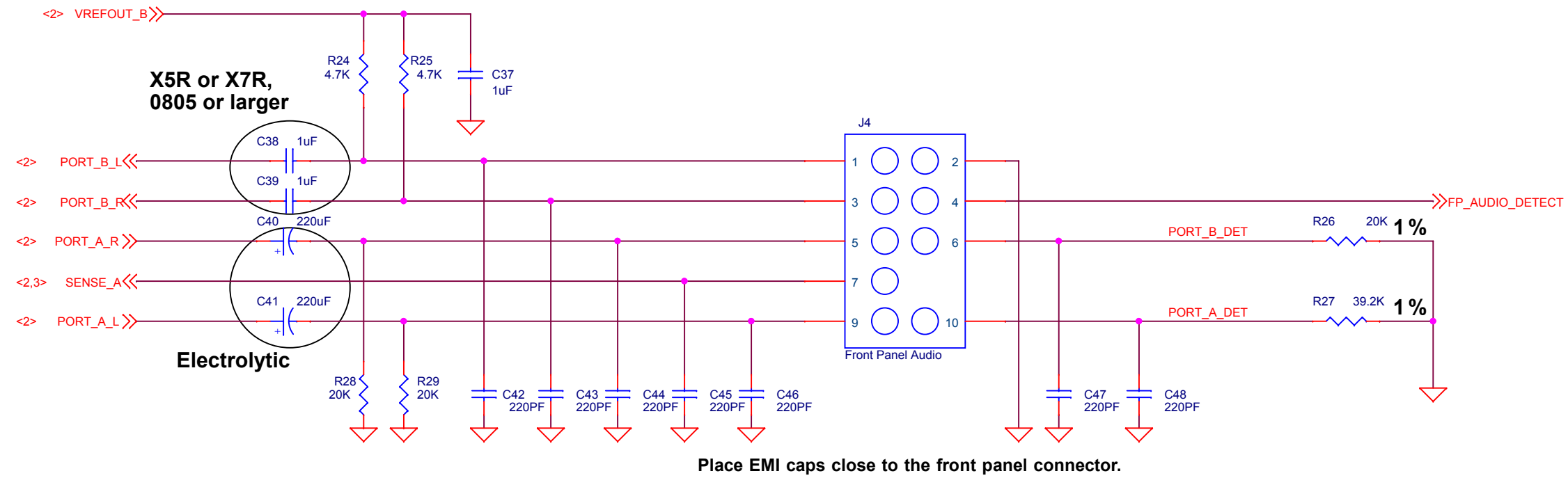


FB? thru FB? are TDK, MMZ1608Y601B, 600 ohm, 500mA, 25%. Substitutes are: Murata BLM18BD601SN1 TAIYO YUDEN LF BK 1608HM601-T



Tempo Semiconductor, Inc.
 8627 N. Mopac Expy.
 Suite 130
 Austin, TX 78759
 tel: (512) 827-3440
 fax: (512) 318-2478

Title REAR JACKS			HDA PC Audio
Size Custom X	Rev X	Document Number IDT 92HD73x Basic Reference Design	
Date: Friday, March 06, 2015			Sheet 3 of 4



Tempo Semiconductor, Inc.
 8627 N. Mopac Expy.
 Suite 130
 Austin, TX 78759
 tel: (512) 827-3440
 fax: (512) 318-2478

Title FRONT PANEL CONNECTOR			HDA PC Audio
Size Custom X	Rev X	Document Number IDT 92HD73x Basic Reference Design	
Date: Friday, March 06, 2015			Sheet 4 of 4