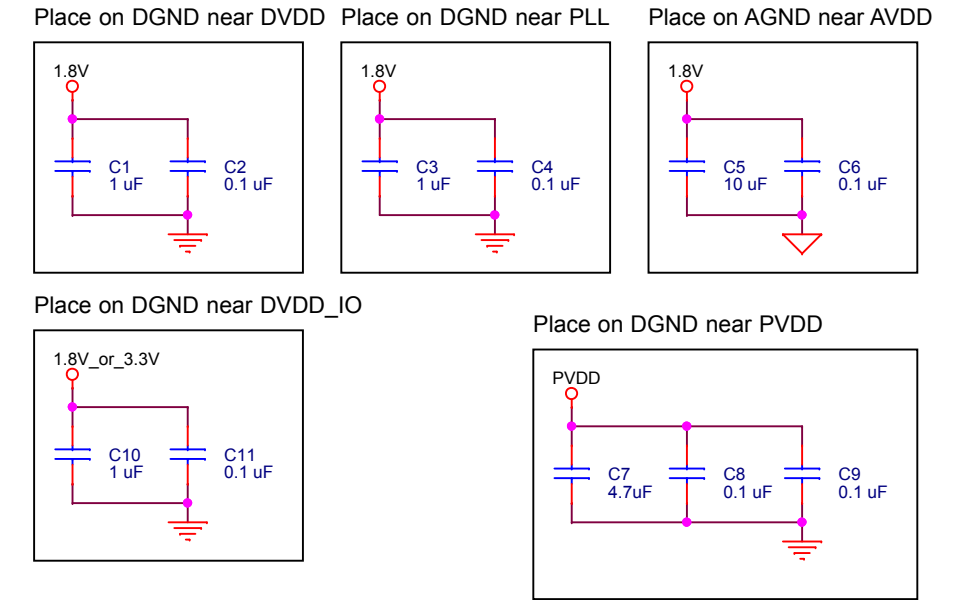
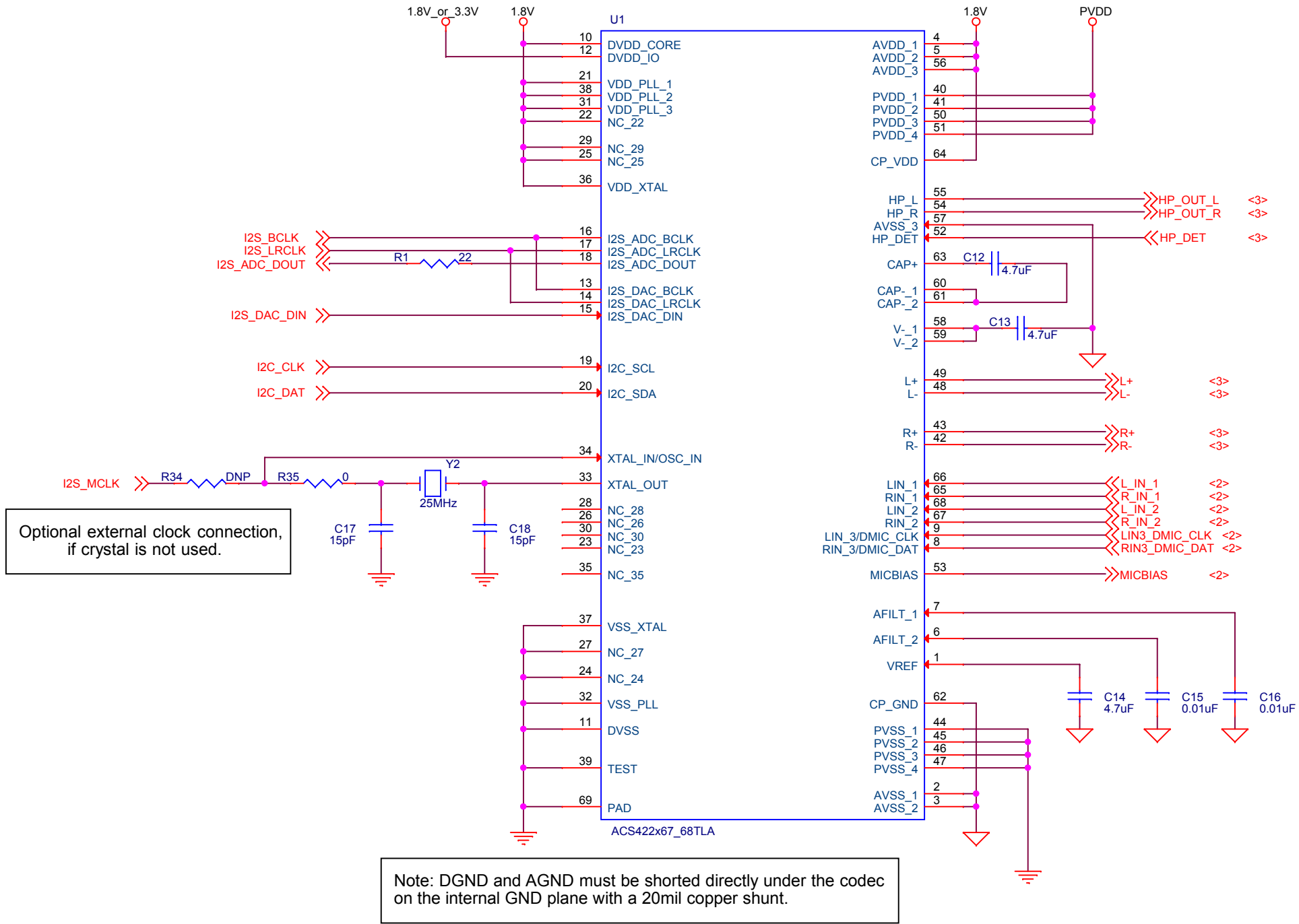

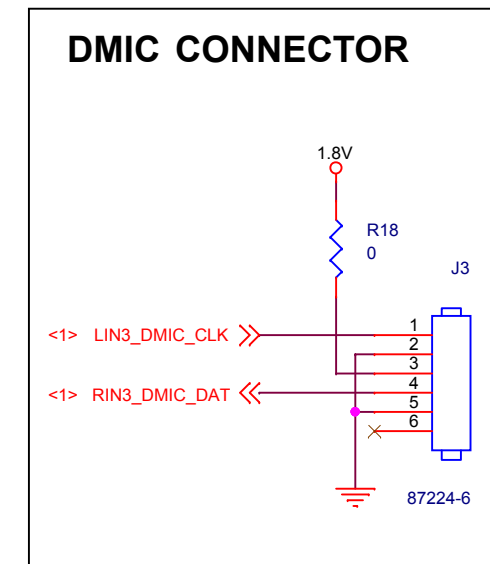
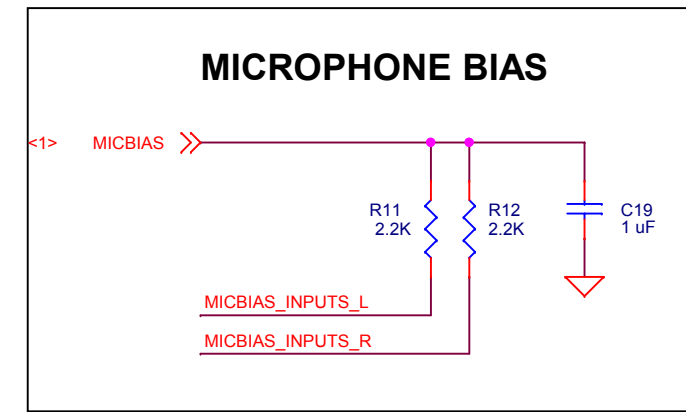
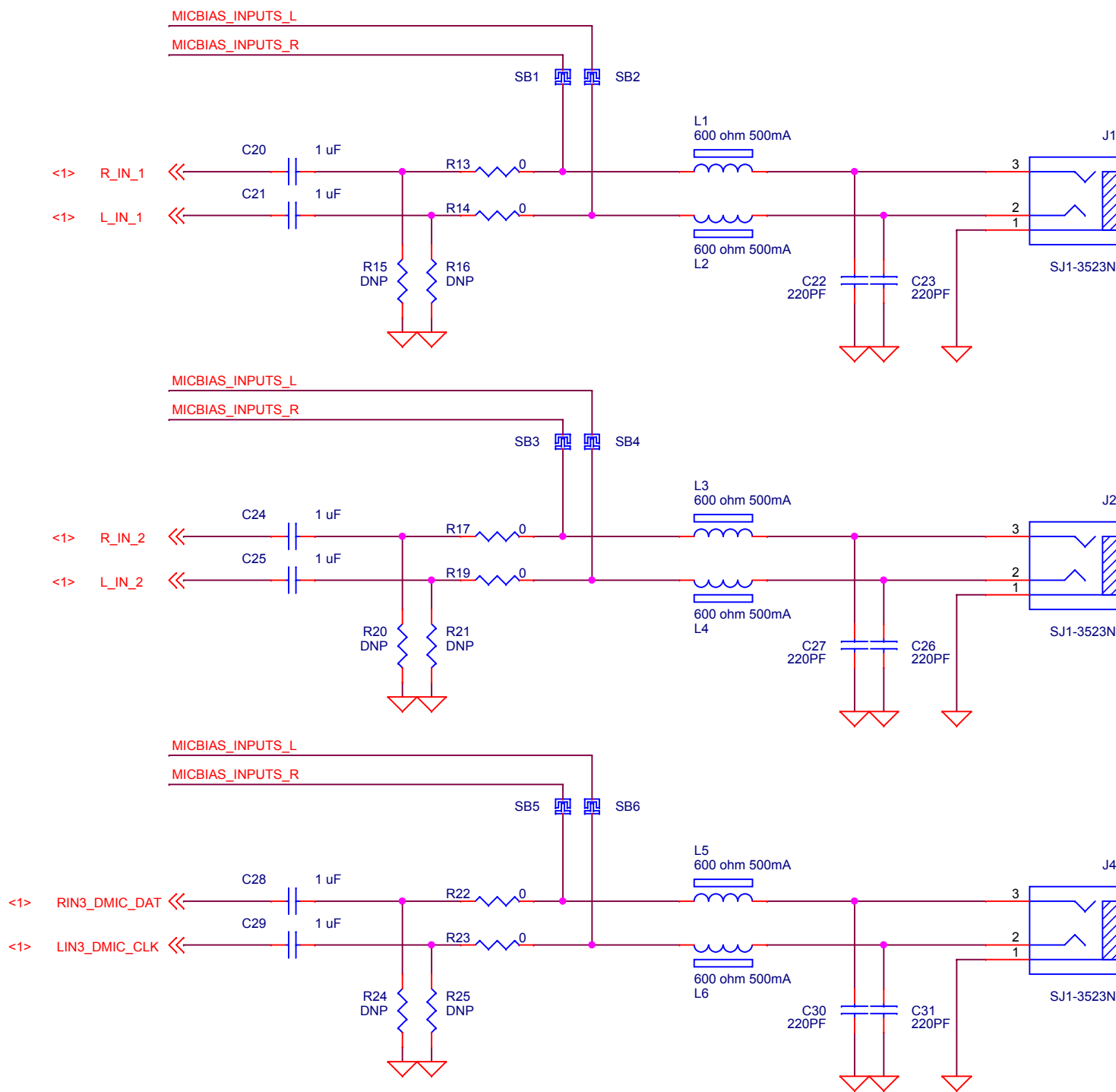


ACS422x67 Reference Schematics

68-pin TLA Package



		Tempo Semiconductor, Inc. 8627 N. Mopac Expy. Suite 130 Austin, TX 78759 tel: (512) 827-3440 fax: (512) 318-2478	
		Title ACS422x67 Reference Schematics	
Size	Rev	Document Number	Consumer Audio
Custom A		ACS422x67 Codec	
Date: Wednesday, December 07, 2016			Sheet 1 of 3



**Note: Input 3 must be either an analog or digital input, but NOT BOTH. The bonding option of the ACS422x67 codec determines the type. For example:
 ACS422D67 - use the DMIC input
 ACS422A67 - use the analog input**

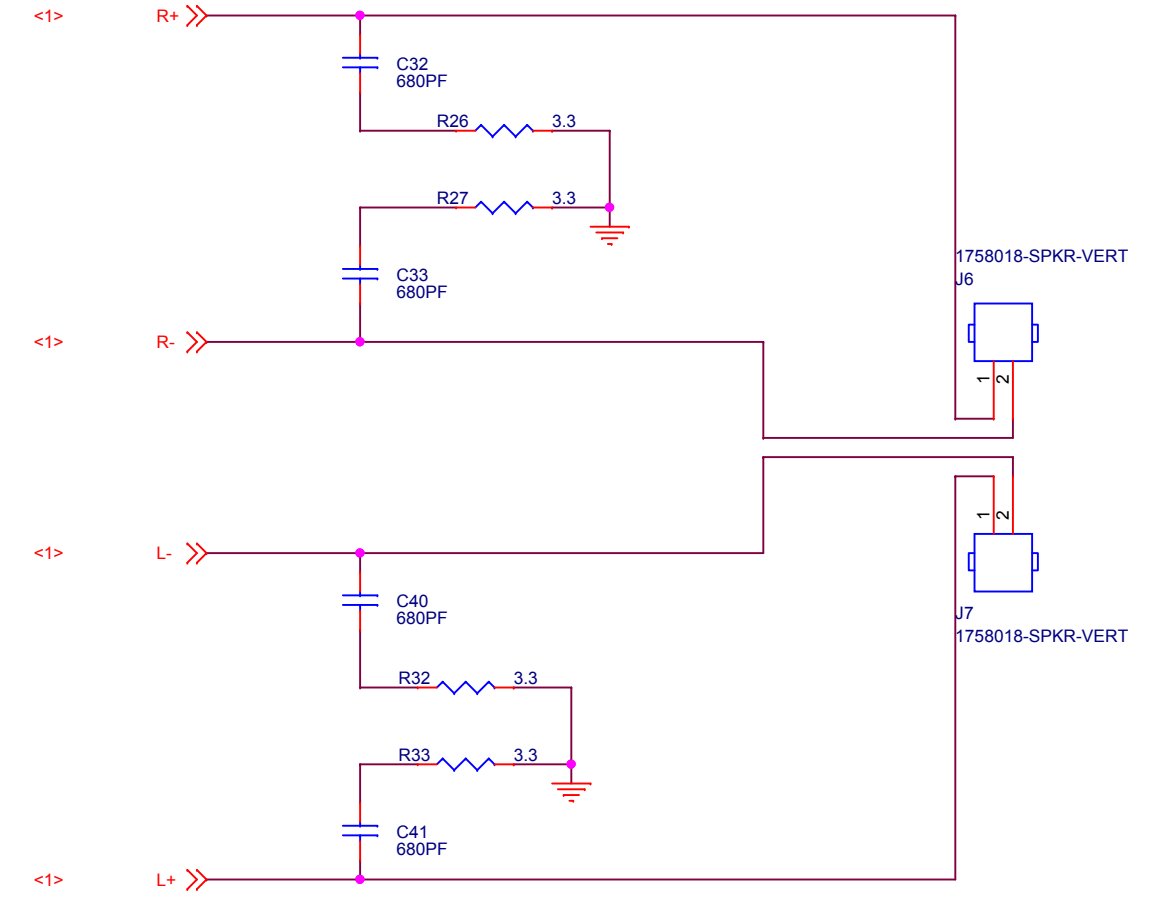
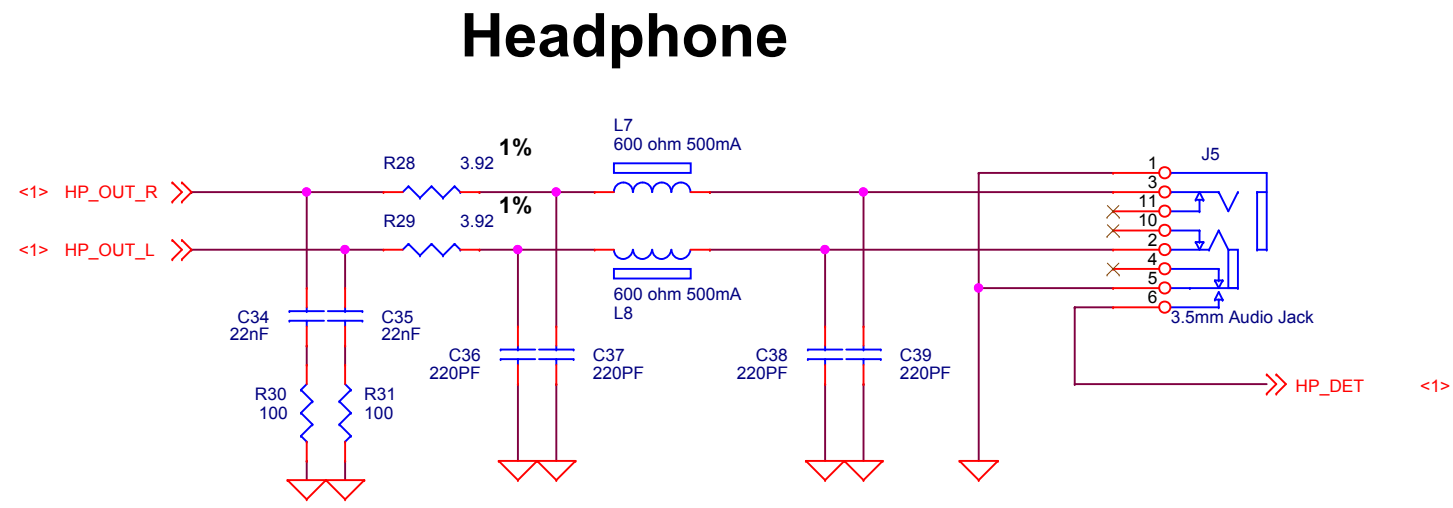
Tempo Semiconductor, Inc.

Tempo Semiconductor, Inc.
 8627 N. Mopac Expy.
 Suite 130
 Austin, TX 78759
 tel: (512) 827-3440
 fax: (512) 318-2478

Title ACS422x67 Reference Schematics		
Size Custom A	Rev A	Document Number Audio Input Jacks
Date: Wednesday, December 07, 2016		Consumer Audio Sheet 2 of 3

Class D BTL Output

Note: BTL can be MONO ONLY. On mono parts, the right channel is not present and should not be routed or placed. Mono parts have the letter 'M' added to the part number:
ACS422MD67, ACS422MA67



Tempo Semiconductor, Inc.
 8627 N. Mopac Expy.
 Suite 130
 Austin, TX 78759
 tel: (512) 827-3440
 fax: (512) 318-2478

Title ACS422x67 Reference Schematics			Consumer Audio
Size Custom A	Rev A	Document Number Audio Outputs	
Date: Wednesday, December 07, 2016			Sheet 3 of 3