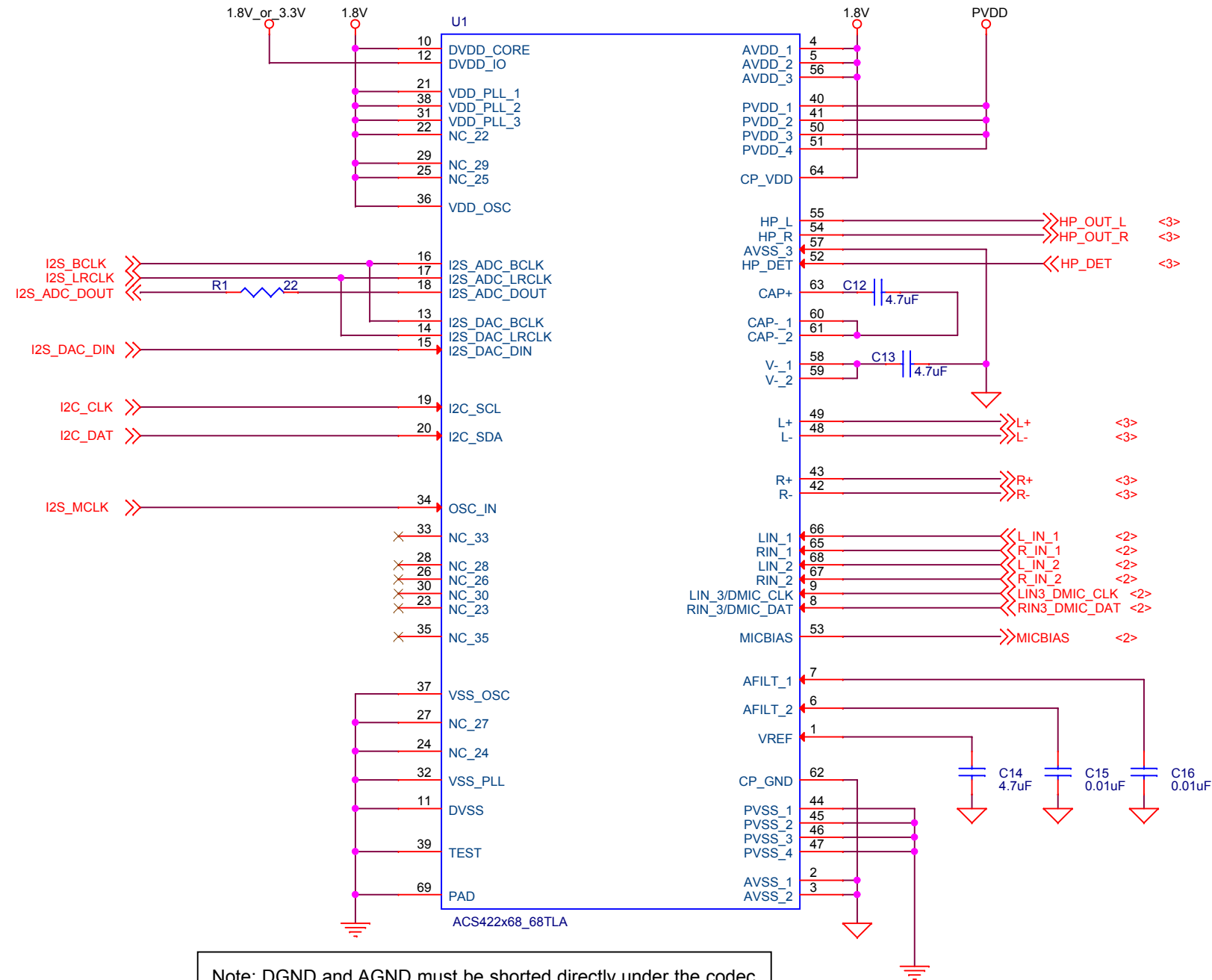
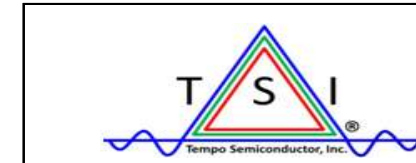
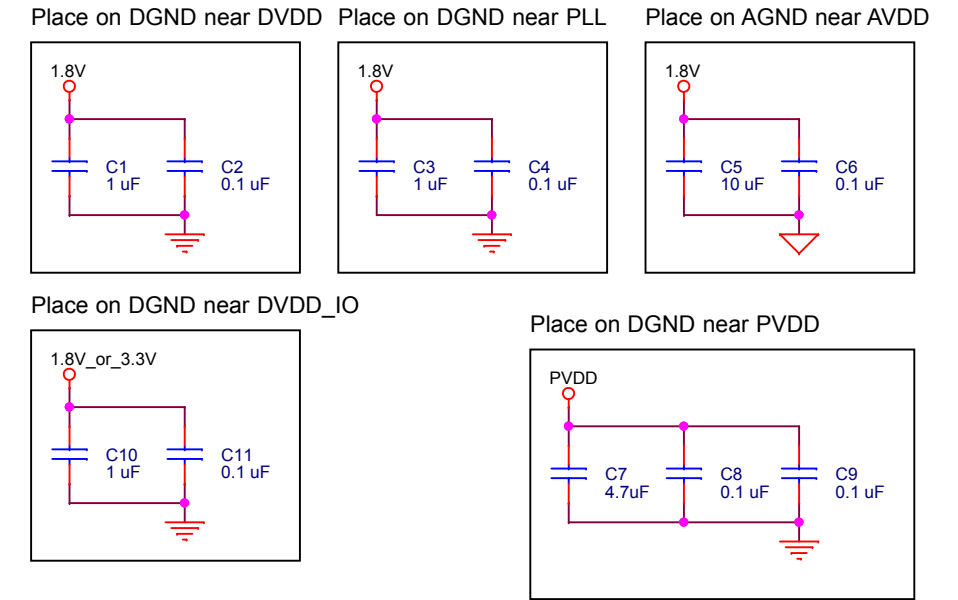


ACS422x68 Reference Schematics

68-pin TLA Package

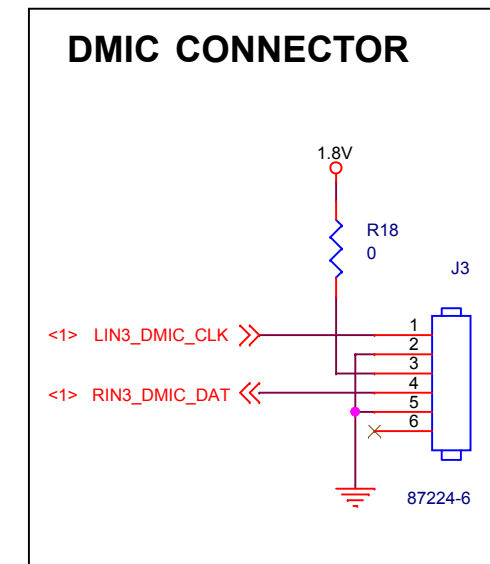
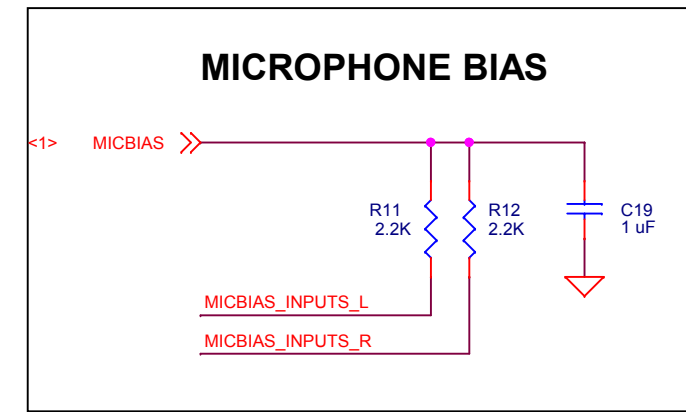
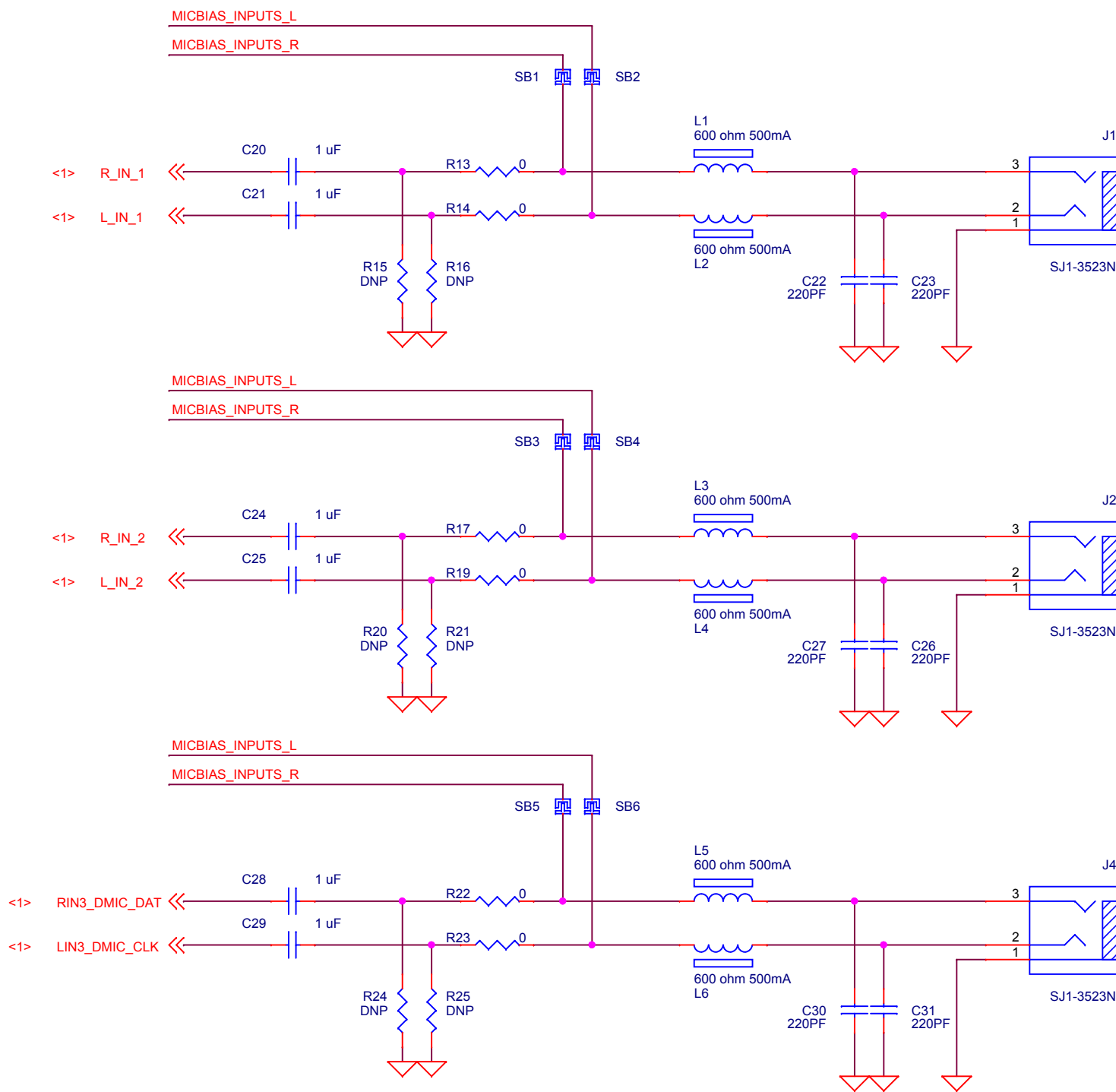


Note: DGND and AGND must be shorted directly under the codec on the internal GND plane with a 20mil copper shunt.



Tempo Semiconductor, Inc.
 8627 N. Mopac Expy.
 Suite 130
 Austin, TX 78759
 tel: (512) 827-3440
 fax: (512) 318-2478

Title ACS422x68 Reference Schematics		
Size Custom A	Rev A	Document Number ACS422x68 Codec
Date: Wednesday, December 07, 2016	Consumer Audio	
Sheet 1 of 3		



**Note: Input 3 must be either an analog or digital input, but NOT BOTH. The bonding option of the ACS422x68 codec determines the type. For example:
 ACS422D68 - use the DMIC input
 ACS422A68 - use the analog input**

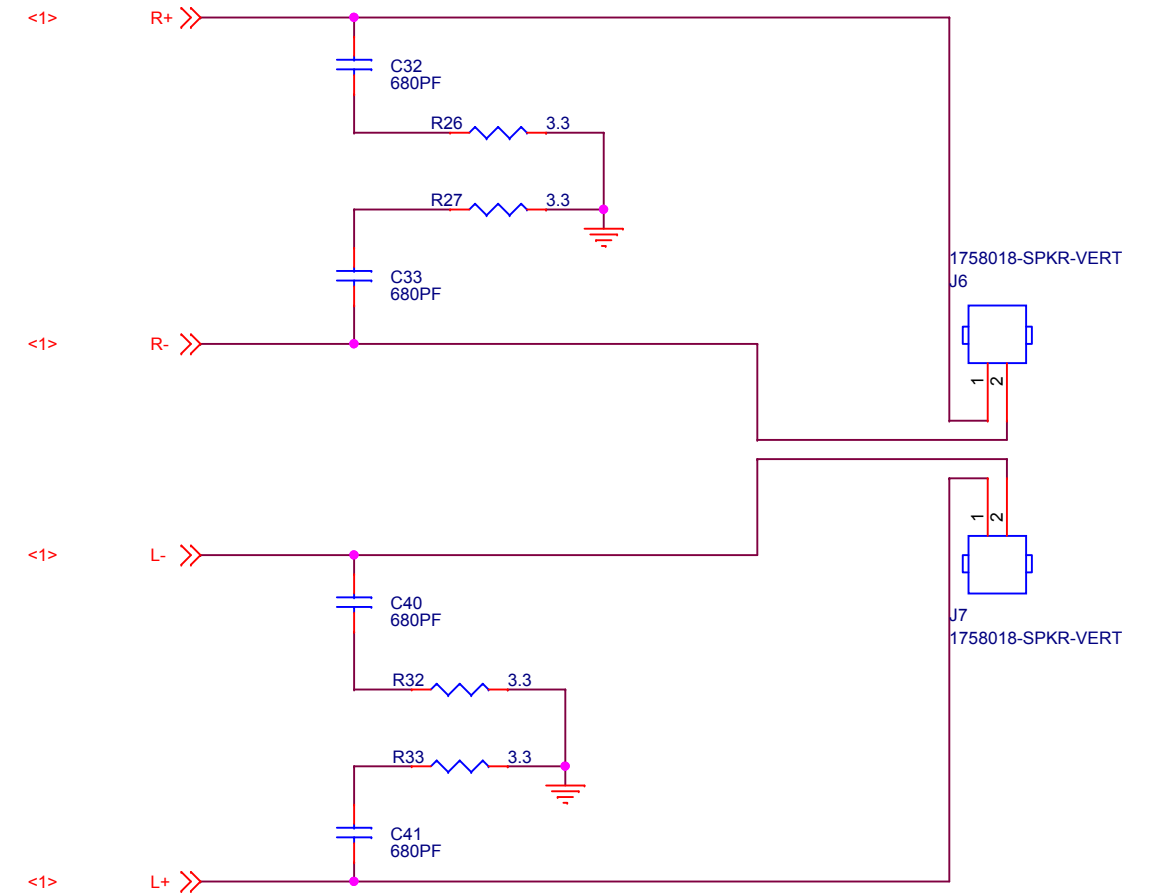
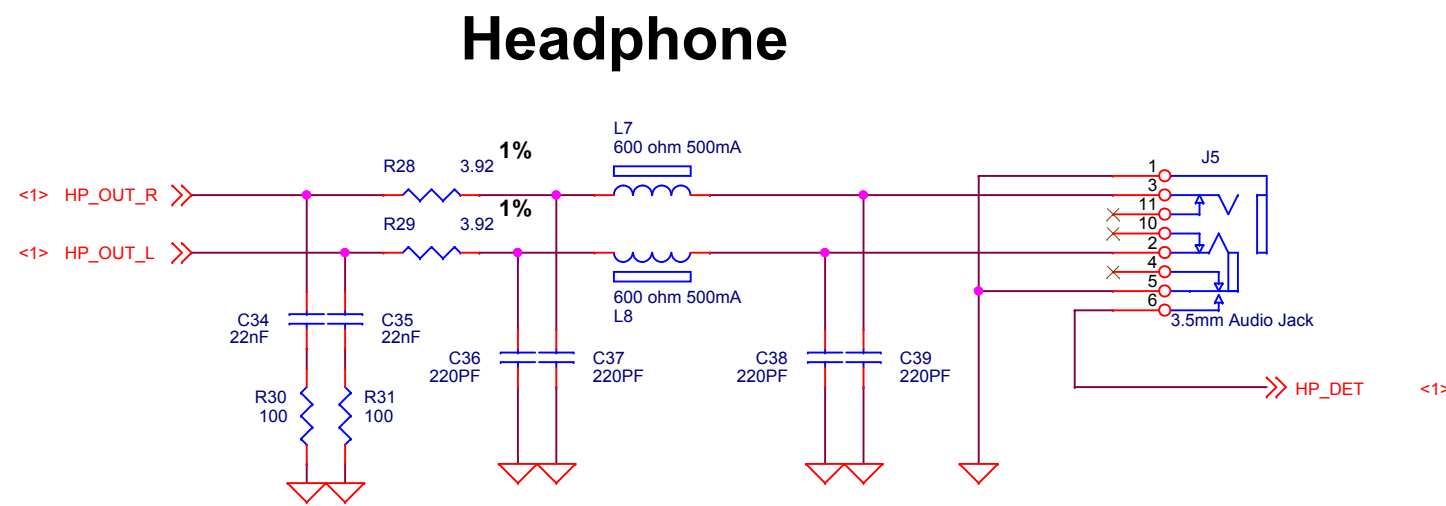
Tempo Semiconductor, Inc.

Tempo Semiconductor, Inc.
 8627 N. Mopac Expy.
 Suite 130
 Austin, TX 78759
 tel: (512) 827-3440
 fax: (512) 318-2478

Title ACS422x68 Reference Schematics		
Size Custom A	Rev A	Document Number Audio Input Jacks
Date: Wednesday, December 07, 2016		Consumer Audio Sheet 2 of 3

Class D BTL Output

Note: BTL can be MONO ONLY. On mono parts, the right channel is not present and should not be routed or placed. Mono parts have the letter 'M' added to the part number:
ACS422MD68, ACS422MA68



Tempo Semiconductor, Inc.
8627 N. Mopac Expy.
Suite 130
Austin, TX 78759
tel: (512) 827-3440
fax: (512) 318-2478

Title ACS422x68 Reference Schematics			Consumer Audio
Size Custom A	Rev A	Document Number Audio Outputs	
Date: Wednesday, December 07, 2016			Sheet 3 of 3