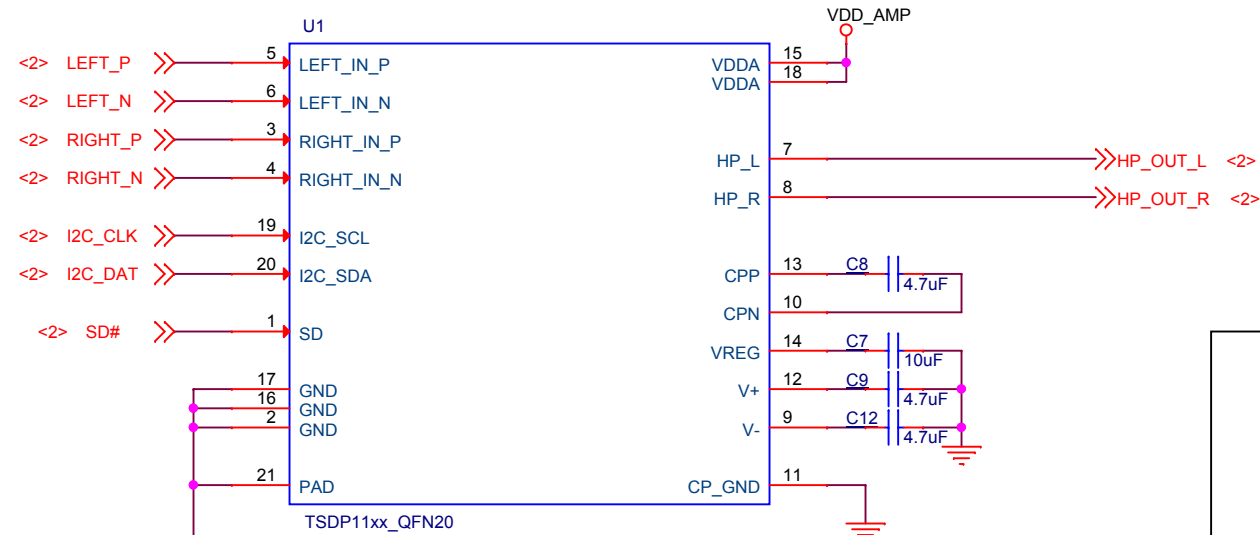


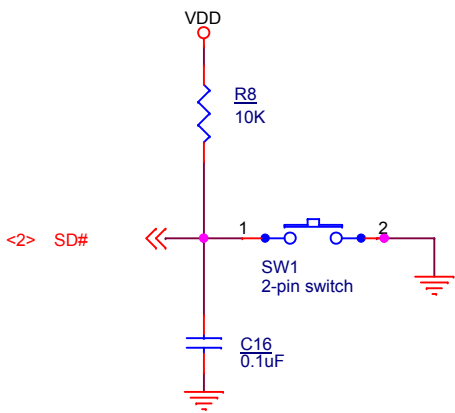
PLACE LARGE SILKSCREEN "I2C" NEAR CONNECTOR

Place small "CLK" near pin 2
Place small "DAT" near pin 3.



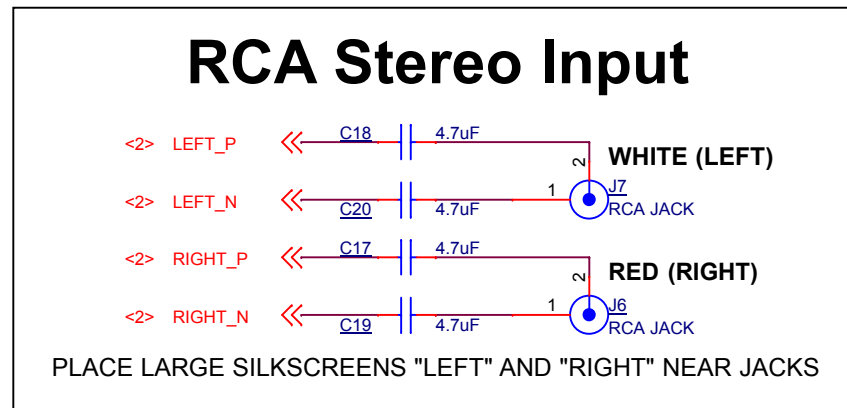
PLACE LARGE SILKSCREEN "TSDP11xx 20QFN" NEAR AMPLIFIER

CP_GND must be routed back to the GND connection at the USB connector with a 20mil trace.



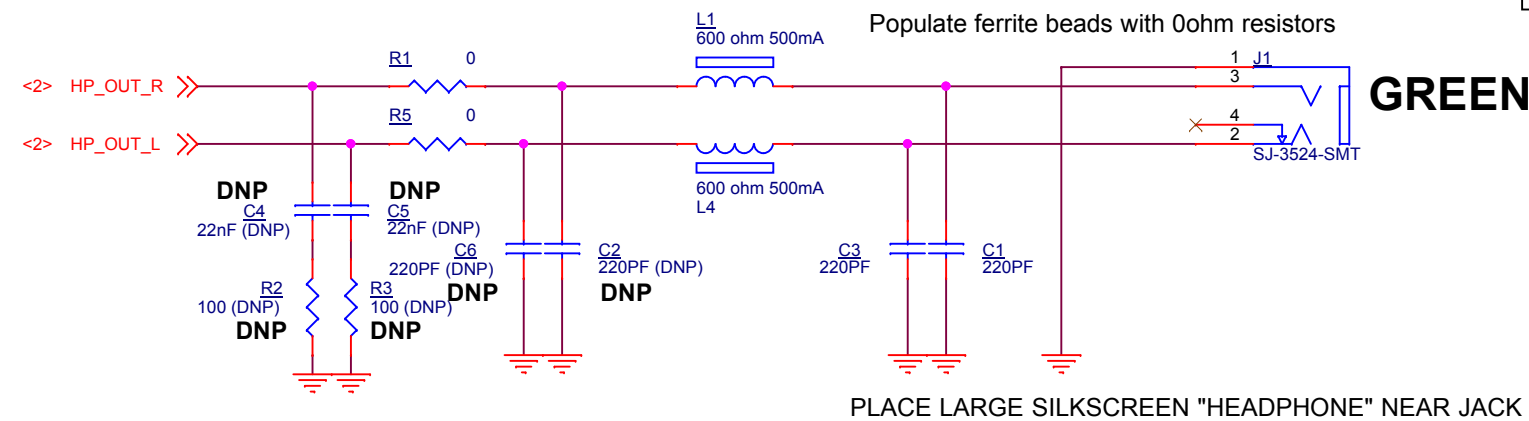
SHUTDOWN SWITCH

PLACE LARGE SILKSCREEN "SDI bar" NEAR SWITCH



PLACE LARGE SILKSCREENS "LEFT" AND "RIGHT" NEAR JACKS

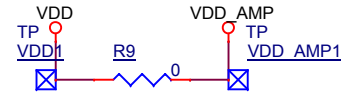
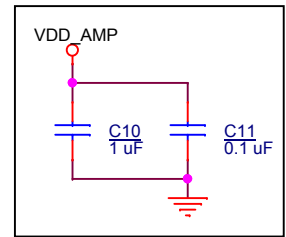
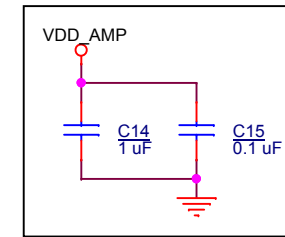
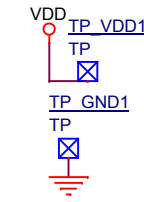
Headphone Output



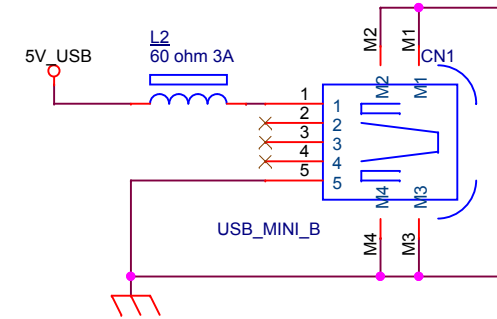
PLACE LARGE SILKSCREEN "HEADPHONE" NEAR JACK

Place near 2

Place near 15

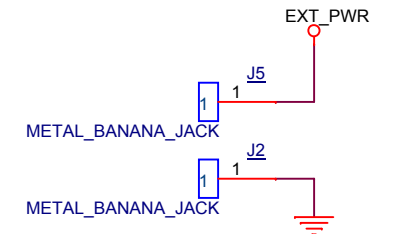


USB POWER

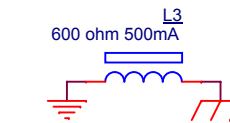


PLACE LARGE SILKSCREEN "USB MINI B" NEAR JACK

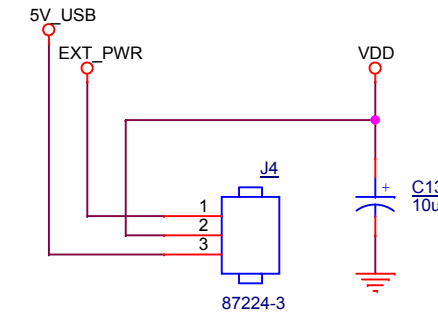
EXTERNAL POWER



PLACE LARGE SILKSCREEN "EXTERNAL PWR" NEAR JACKS



PLACE LARGE SILKSCREEN "POWER" NEAR CONNECTOR



PLACE LARGE SILKSCREEN "POWER" NEAR CONNECTOR
Place small "EXT" near pin 1
Place small "USB" near pin 3

POWER INDICATOR

PLACE NEAR Jx AND SILK

Remove LED resistor for current measurement, if necessary.

ADD LARGE TEMPO SILKSCREEN AND "TSDP11xx Evaluation Board" AT TOP



Tempo Semiconductor, Inc.
8627 N. Mopac Expy.
Suite 130
Austin, TX 78759
tel: (512) 827-3440
fax: (512) 318-2478

Title Boston Evaluation Board		Document Number TSDP11xx Headphone Amplifier		Consumer Audio
Size Custom A	Rev A	Date: Wednesday, August 26, 2015		Sheet 2 of 2

MOUNTING HOLES (4x)
PLACE ONE IN EACH CORNER