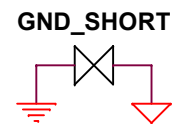
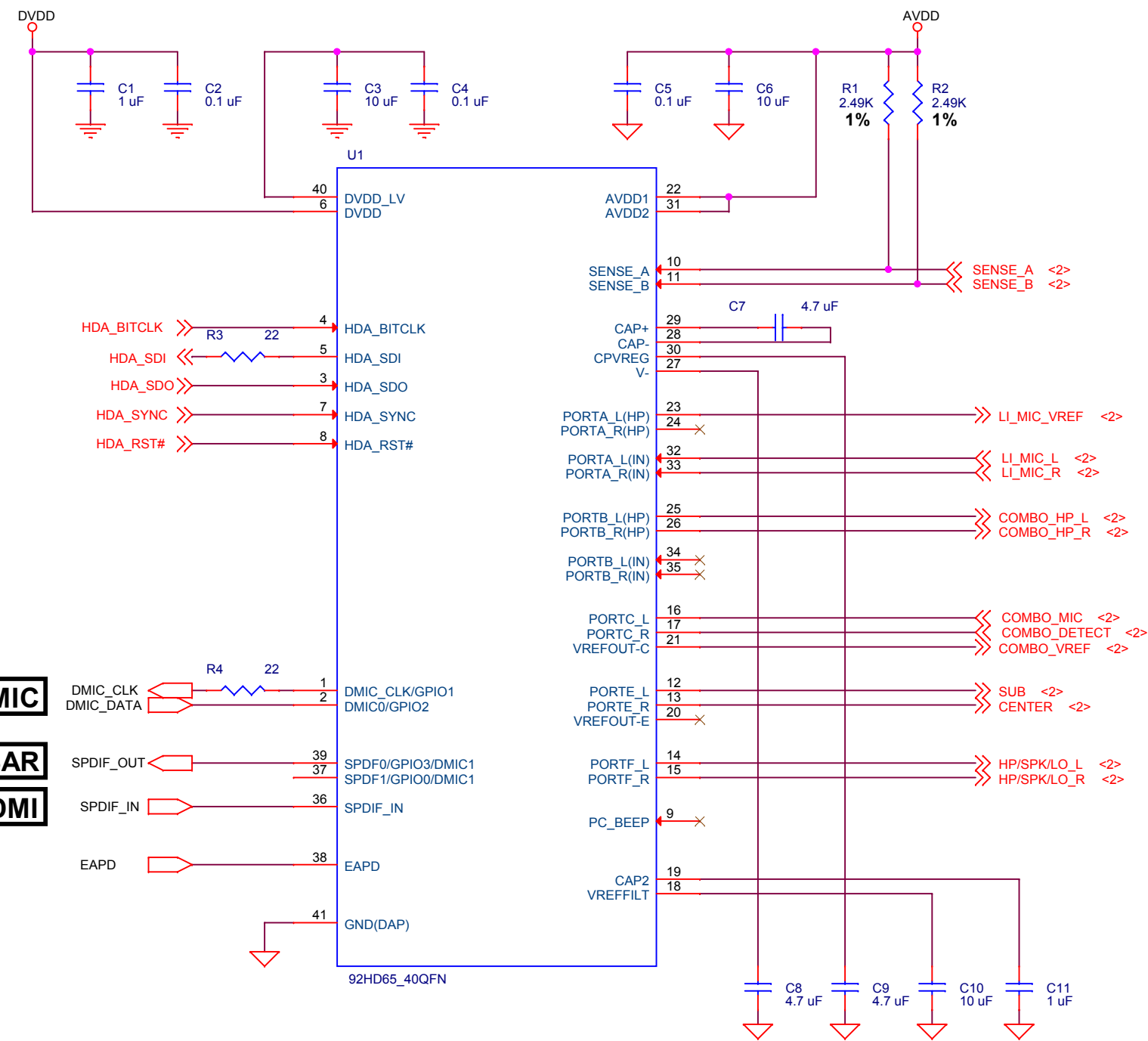


92HD65 All-in-One Reference Schematic



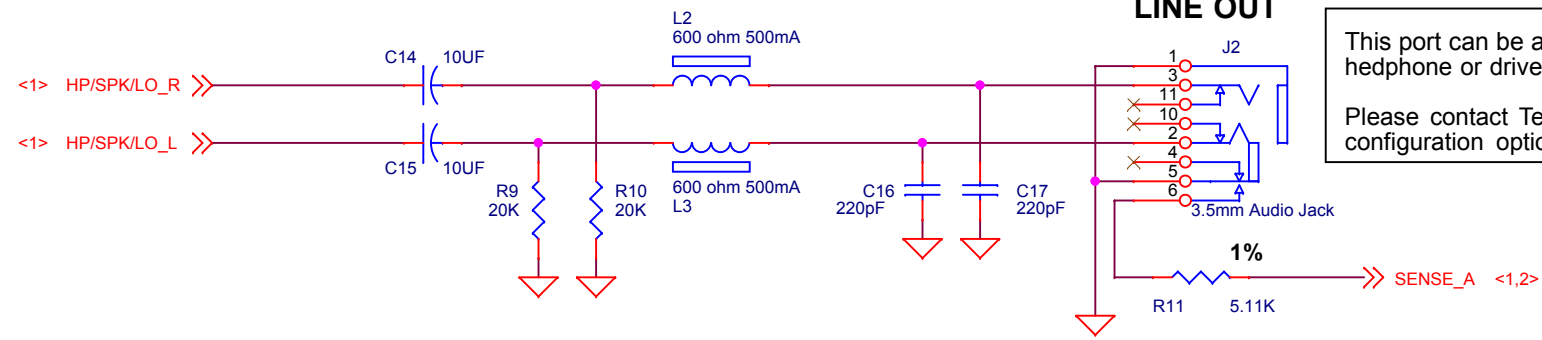
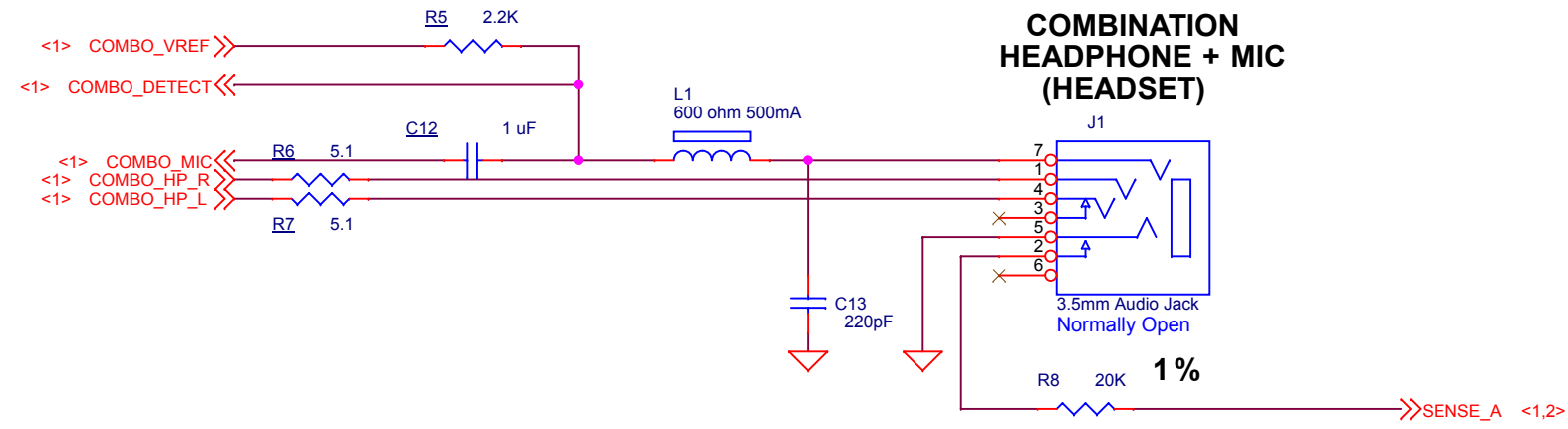
The DAP (die attach pad) provides a common GND connection for both the digital and analog domains in the codec.

In addition, a short connection between digital GND and analog GND should be provided by the PCB directly under the codec on an internal GND plane. If that's not possible, it should be located as close as possible to the codec.

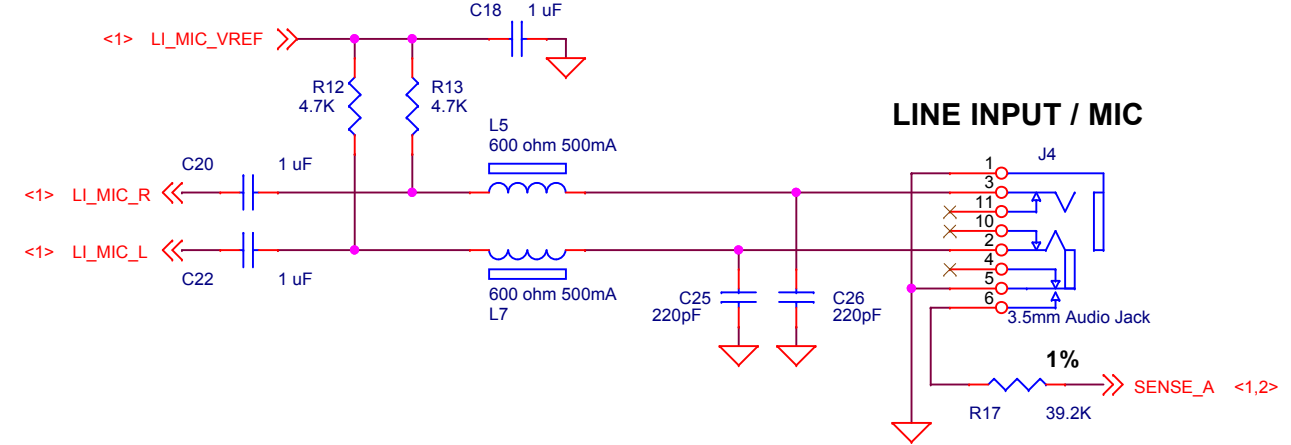
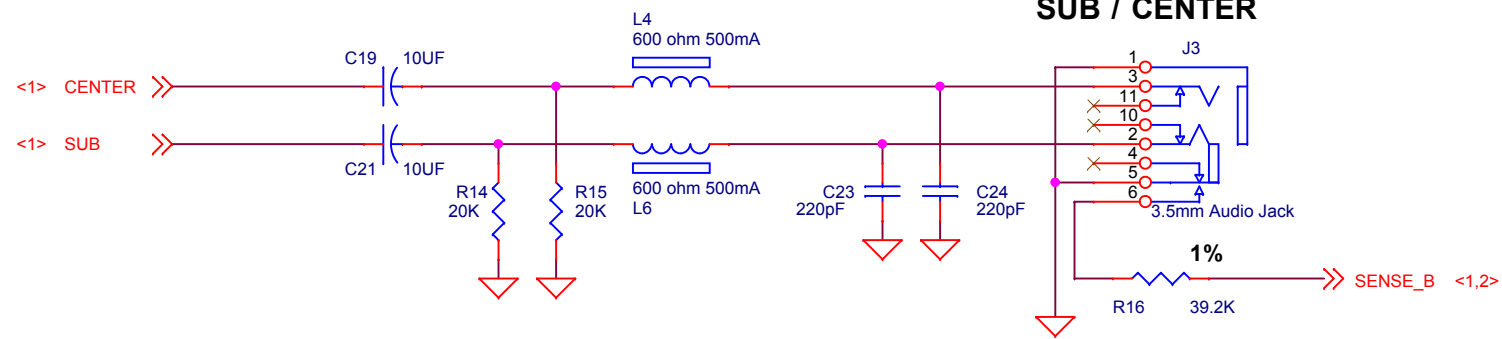


Tempo Semiconductor, Inc.
 8627 N. Mopac Expy.
 Suite 130
 Austin, TX 78759
 tel: (512) 827-3440
 fax: (512) 318-2478


Title 92HD65 All-in-One Reference Schematic			HDA PC Audio
Size Custom X	Rev X	Document Number 92HD65 Codec	
Date: Tuesday, October 23, 2018			Sheet 1 of 2



This port can be alternatively configured as a capless hedphone or drive an internal speaker amplifier.
Please contact Tempo Applications for additional configuration options.



NOTE ON FERRITE BEADS:
The selection of ferrite beads can have a large effect on THD+N, causing failures versus the WHCK requirements. At this time, Tempo has verified three ferrite beads that will meet the WHCK performance requirements:
Murata BLM18BD601SN1
TDK MMZ1608Y601BTA
Taiyo Yuden LF BK 1608HM601-T

		Tempo Semiconductor, Inc. 8627 N. Mopac Expy. Suite 130 Austin, TX 78759 tel: (512) 827-3440 fax: (512) 318-2478	
		Title 92HD65 All-in-One Reference Schematic	
Size Custom X	Rev X	Document Number Headset Jack and Other Ports	HDA PC Audio
Date: Tuesday, October 23, 2018			Sheet 2 of 2