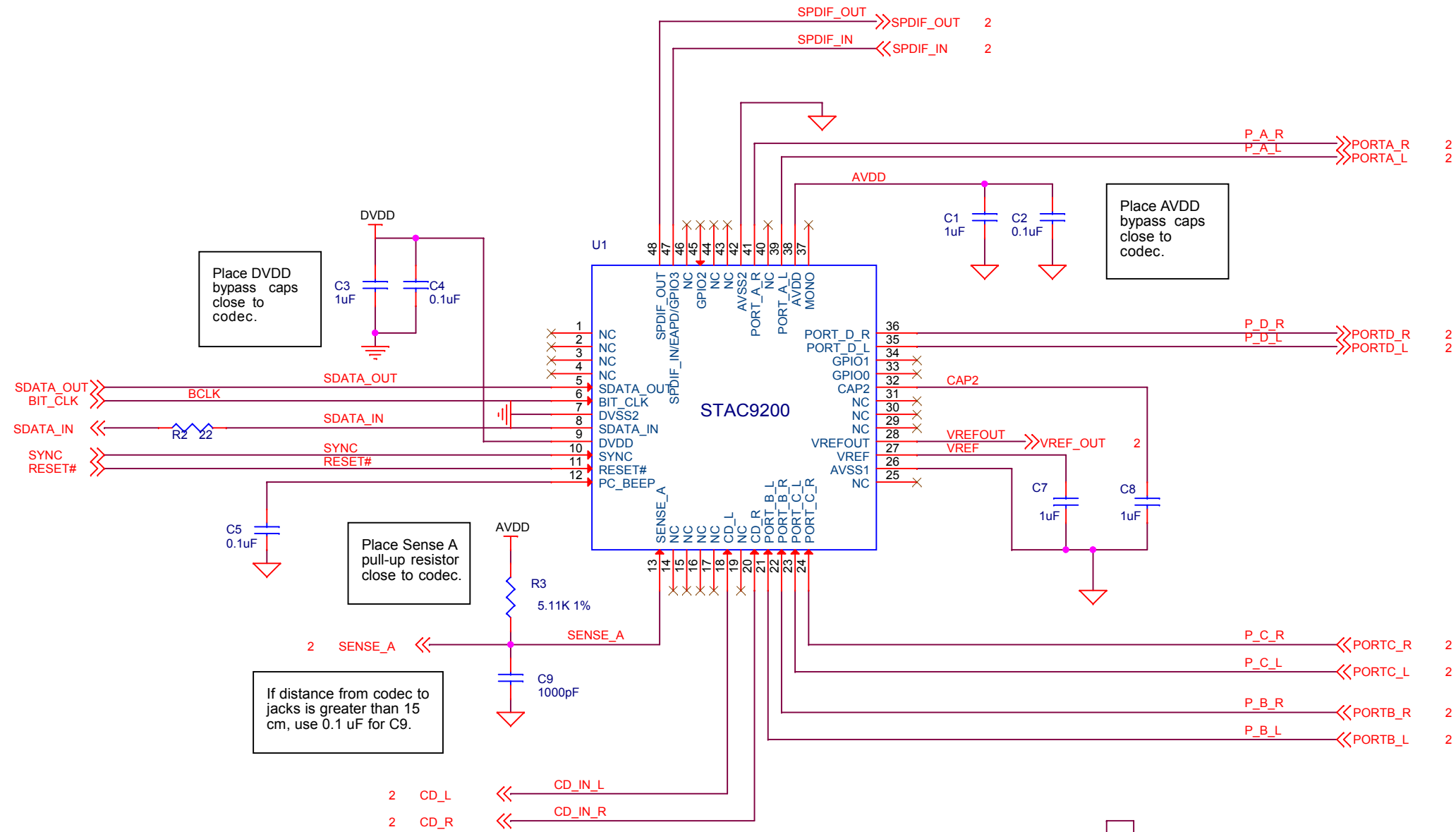
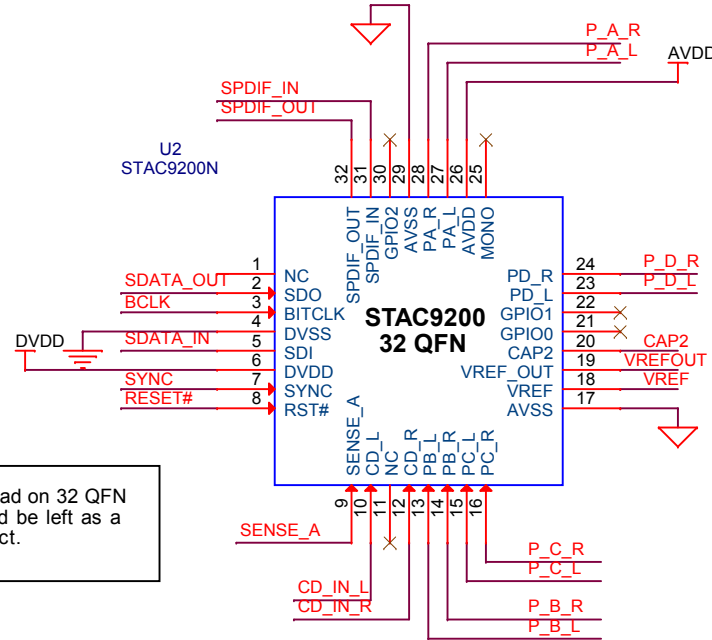


STAC9200 REFERENCE DESIGN



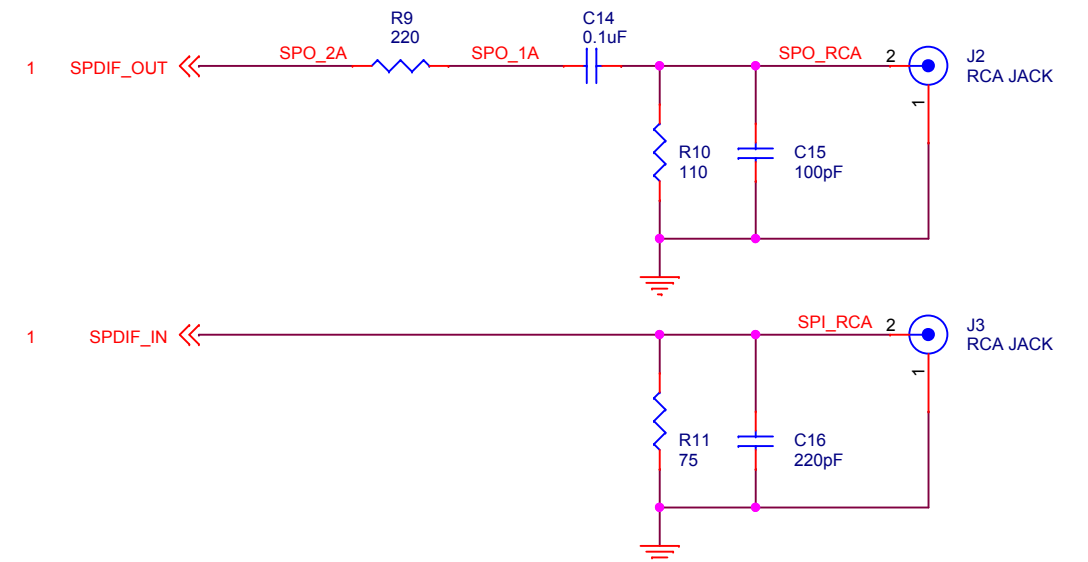
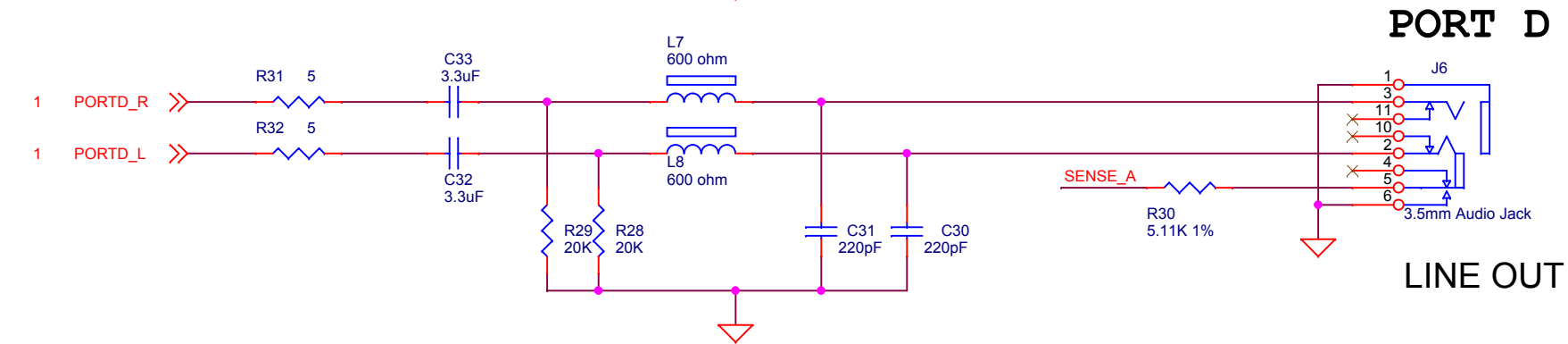
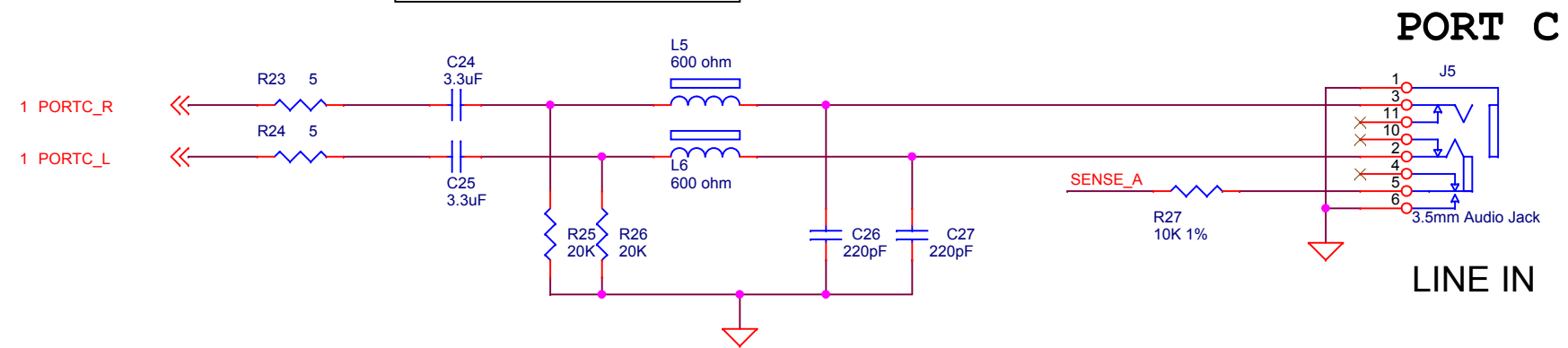
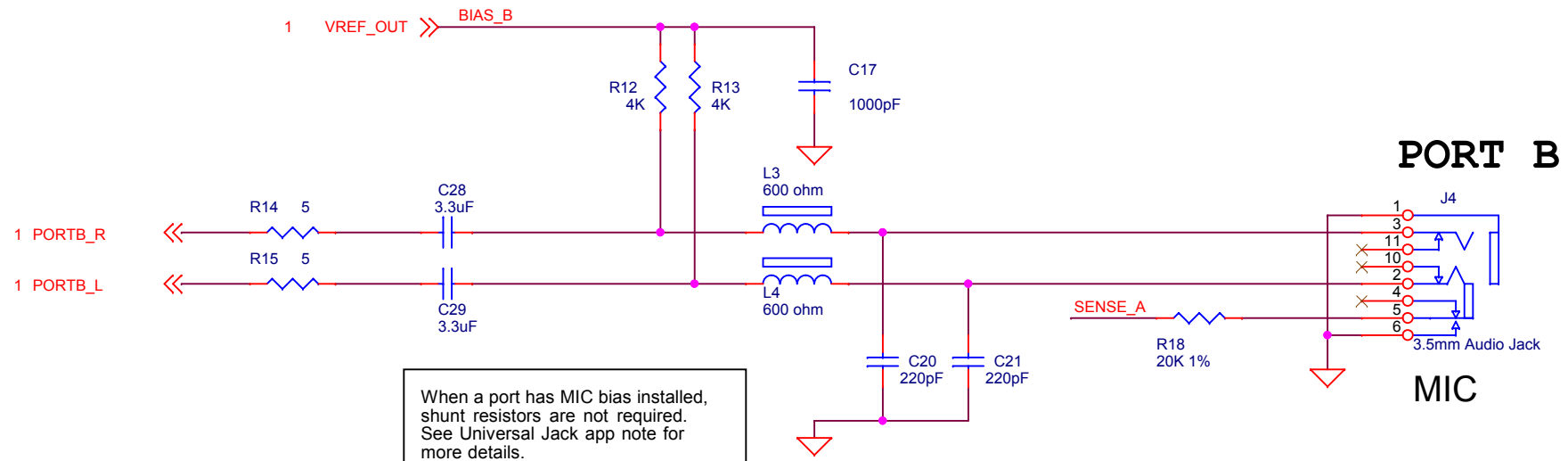
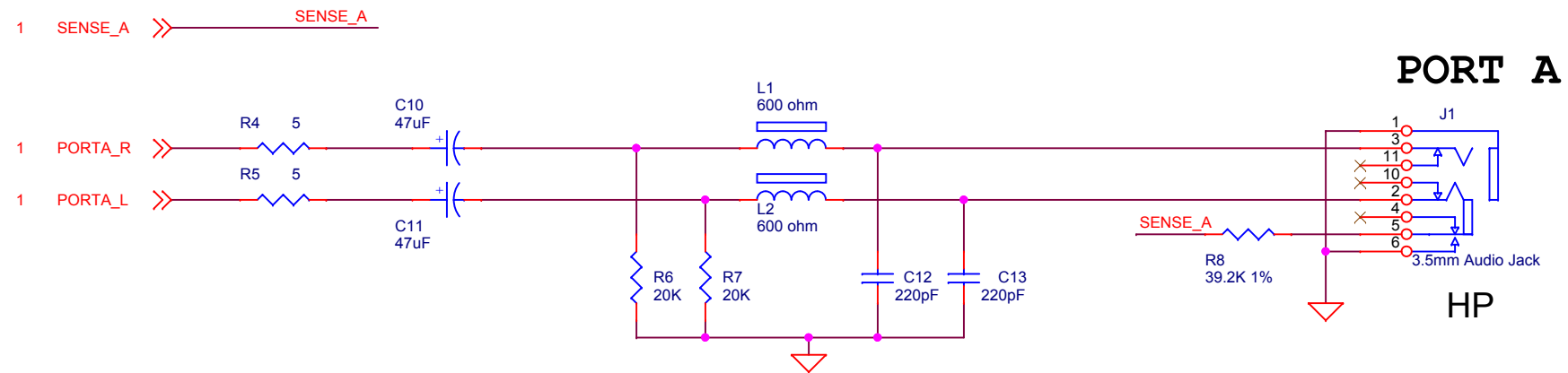
REVISION HISTORY

- Rev. A 11/24/04
Original
- Rev. B 3/14/05
* Removed all MDC schematics and references
* Updated codec pins, using port names
* Corrected coupling capacitor values
- Rev. C 11/30/05
General corrections:
* Removed series R on BIT_CLK
* Removed 0.1 uF to AGND on SYNC
* Changed Sense A cap to 1000 pF and added design note
* Changed VREF cap from 10 uF to 1 uF
* Added note: 32 QFN thermal pad is NC
* Removed 20K shunt R's on MIC circuit (pg 2)
* Added Port D line out circuit (pg 2)

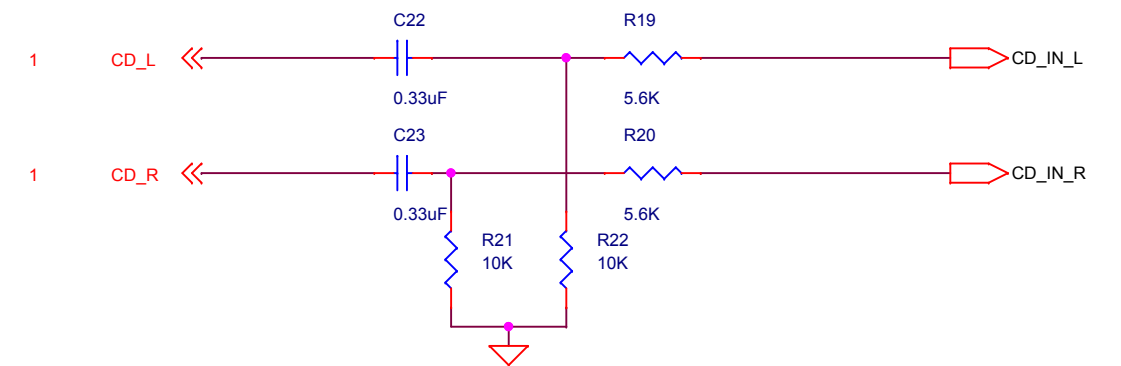


Tempo Semiconductor, Inc.
8627 N. Mopac Expy.
Suite 130
Austin, TX 78759
tel: (512) 827-3440
fax: (512) 318-2478

Title CODEC			HDA PC Audio	
Size Custom C	Rev C	Document Number STAC9200 Reference Design		
Date: Friday, November 13, 2015			Sheet 1 of 2	



CDROM Circuit with 4.5dB Attenuation



Tempo Semiconductor, Inc.
8627 N. Mopac Expy.
Suite 130
Austin, TX 78759
tel: (512) 827-3440
fax: (512) 318-2478

Title AUDIO JACKS			
Size Custom C	Rev C	Document Number STAC9200 Reference Design	HDA PC Audio
Date: Friday, November 13, 2015			Sheet 2 of 2