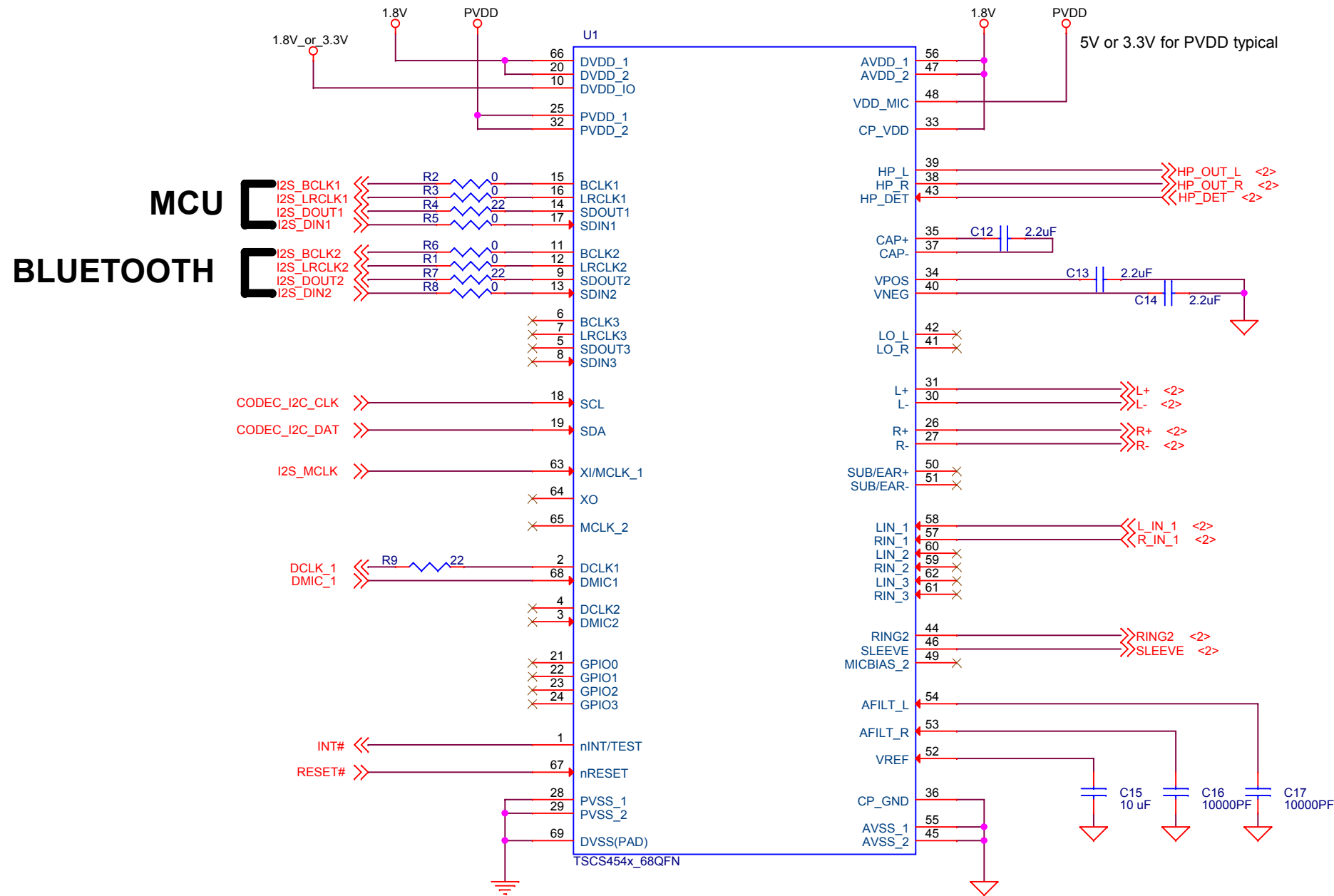


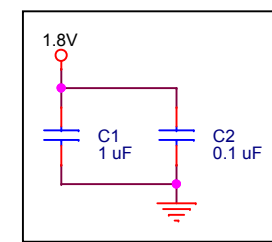
Reference Schematics

Tempo TSCS454x

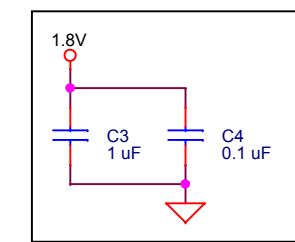
68-pin QFN Package



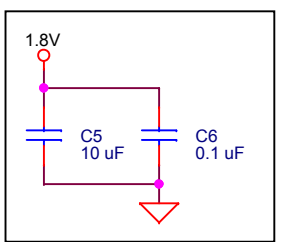
Place on DGND near DVDD



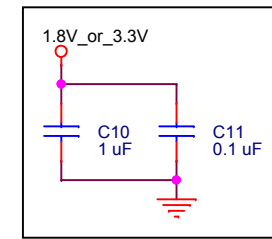
Place on AGND near CP_VDD



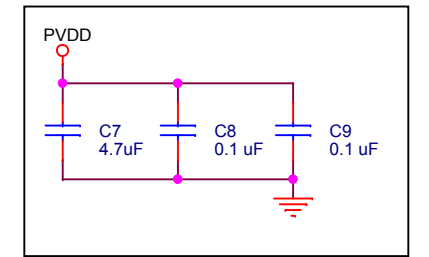
Place on AGND near AVDD



Place on DGND near DVDD_IO



Place on GND_CLASSD near PVDD



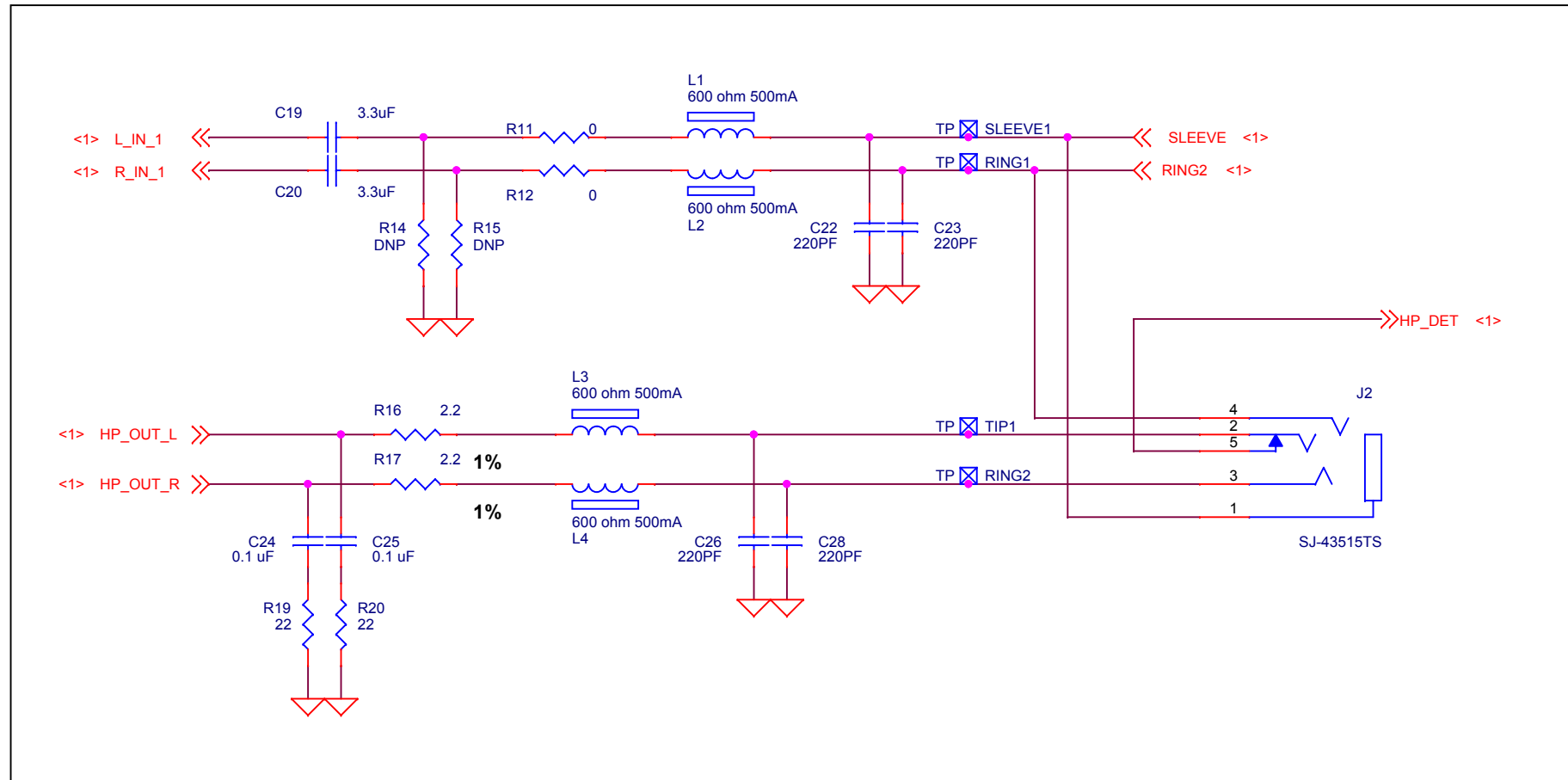
Note: DGND and AGND must be shorted directly under the codec on the internal GND plane with a 20mil copper shunt.



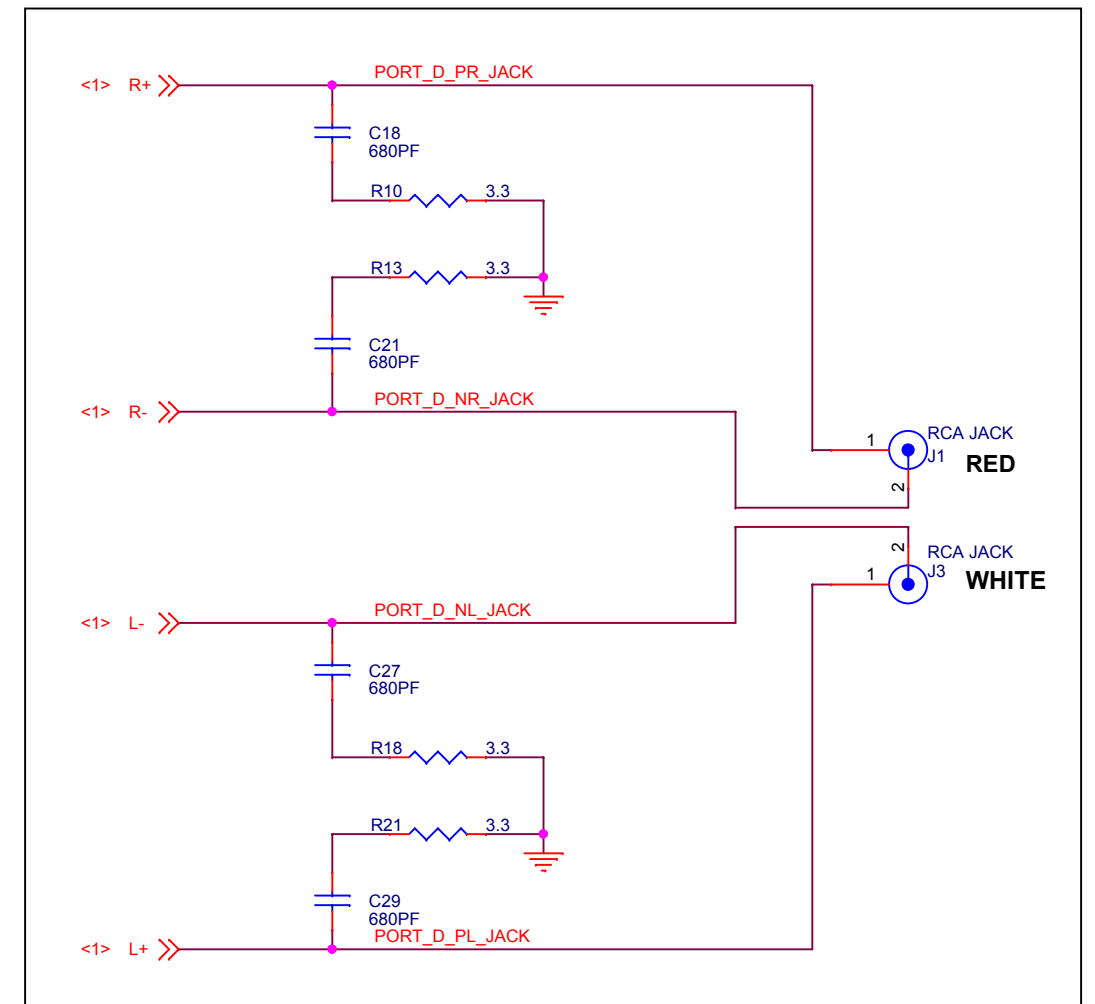
Tempo Semiconductor, Inc.
 8627 N. Mopac Expy.
 Suite 130
 Austin, TX 78759
 tel: (512) 827-3440
 fax: (512) 318-2478

Title TSCS454x Reference Schematics			Consumer Audio
Size Custom A	Rev A	Document Number TSCS454x Codec	
Date: Monday, October 26, 2015			Sheet 1 of 2

GLOBAL HEADSET SUPPORT (CTIA/OMTP)



Class D BTL Output



Tempo Semiconductor, Inc.
 8627 N. Mopac Expy.
 Suite 130
 Austin, TX 78759
 tel: (512) 827-3440
 fax: (512) 318-2478

Title TSCS454x Reference Schematics			Consumer Audio
Size Custom A	Rev A	Document Number Audio Connections	
Date: Monday, October 26, 2015			Sheet 2 of 2