

# Seattle Evaluation Board

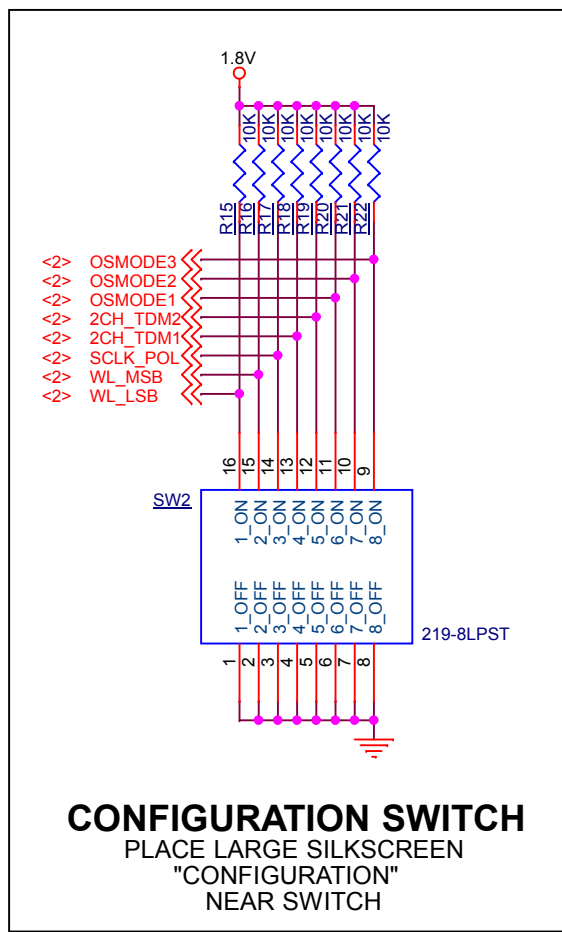
This board is designed to provide both a verification and an evaluation platform for the TSDP18x Octal PDM to 24-bit TDM controller.



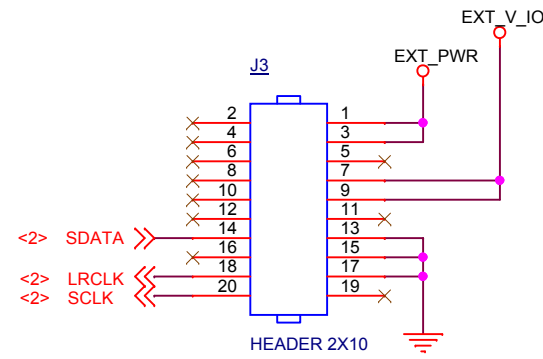
INDEX	
Page 1:	Cover Sheet
Page 2:	TSDP18x
Page 3:	Microphone Array

REV	DATE	DESCRIPTION	CHANGED BY
A	05Apr18	Gerber	KAL

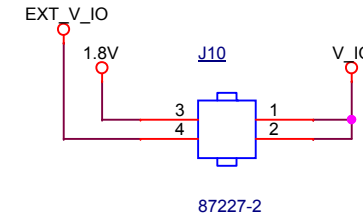
		<b>Tempo Semiconductor, Inc.</b> 8627 N. Mopac Expy. Suite 130 Austin, TX 78759 tel: (512) 827-3440 fax: (512) 318-2478	
Title <b>Seattle Evaluation Board</b>			
Size	Rev	Document Number	Consumer Audio
Custom A		Cover Sheet	
Date: Tuesday, April 10, 2018			Sheet 1 of 3



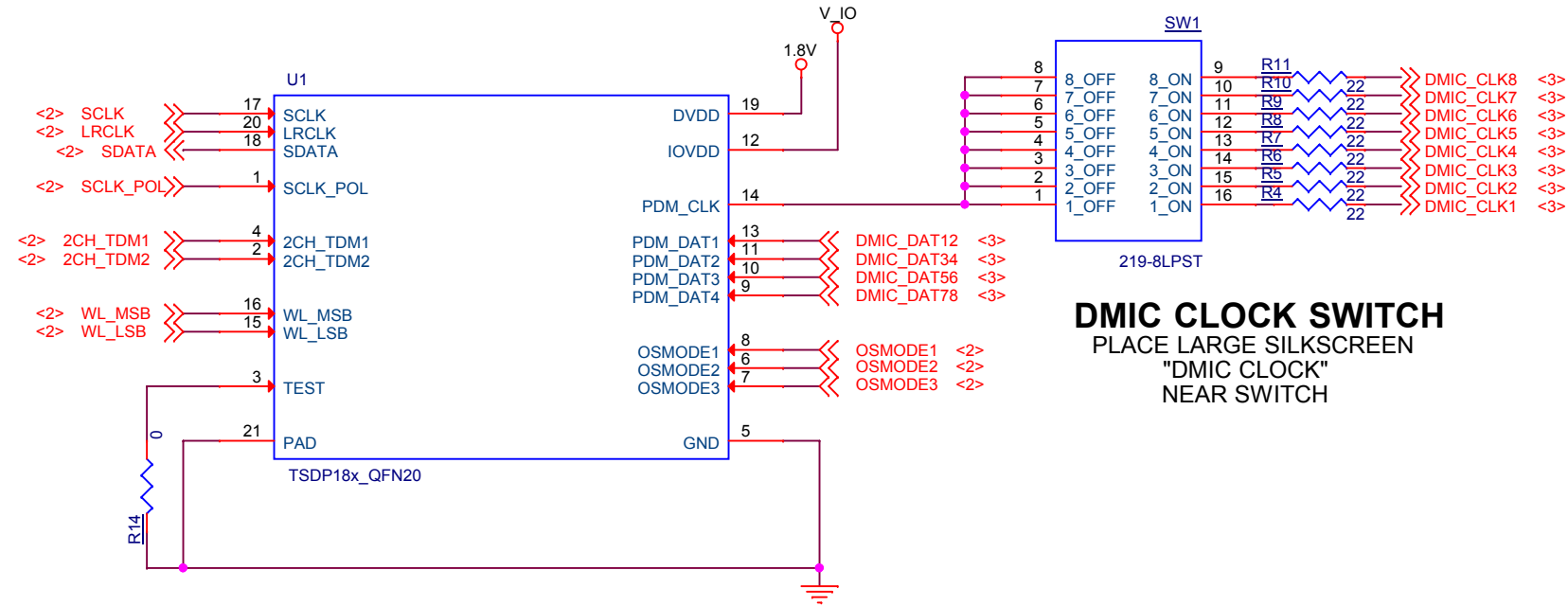
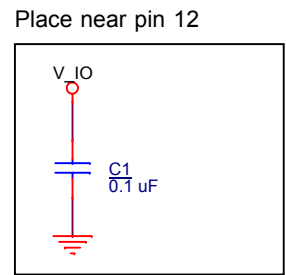
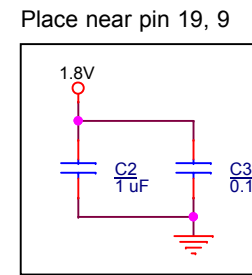
**CONFIGURATION SWITCH**  
PLACE LARGE SILKSCREEN  
"CONFIGURATION"  
NEAR SWITCH



PLACE LARGE SILKSCREEN  
"EXTERNAL DIGITAL"  
NEAR HEADER



PLACE SILKSCREEN  
"V\_IO"  
NEAR HEADER



PLACE LARGE SILKSCREEN "TSDP18x QFN20" NEAR CONVERTER

**DMIC CLOCK SWITCH**  
PLACE LARGE SILKSCREEN  
"DMIC CLOCK"  
NEAR SWITCH

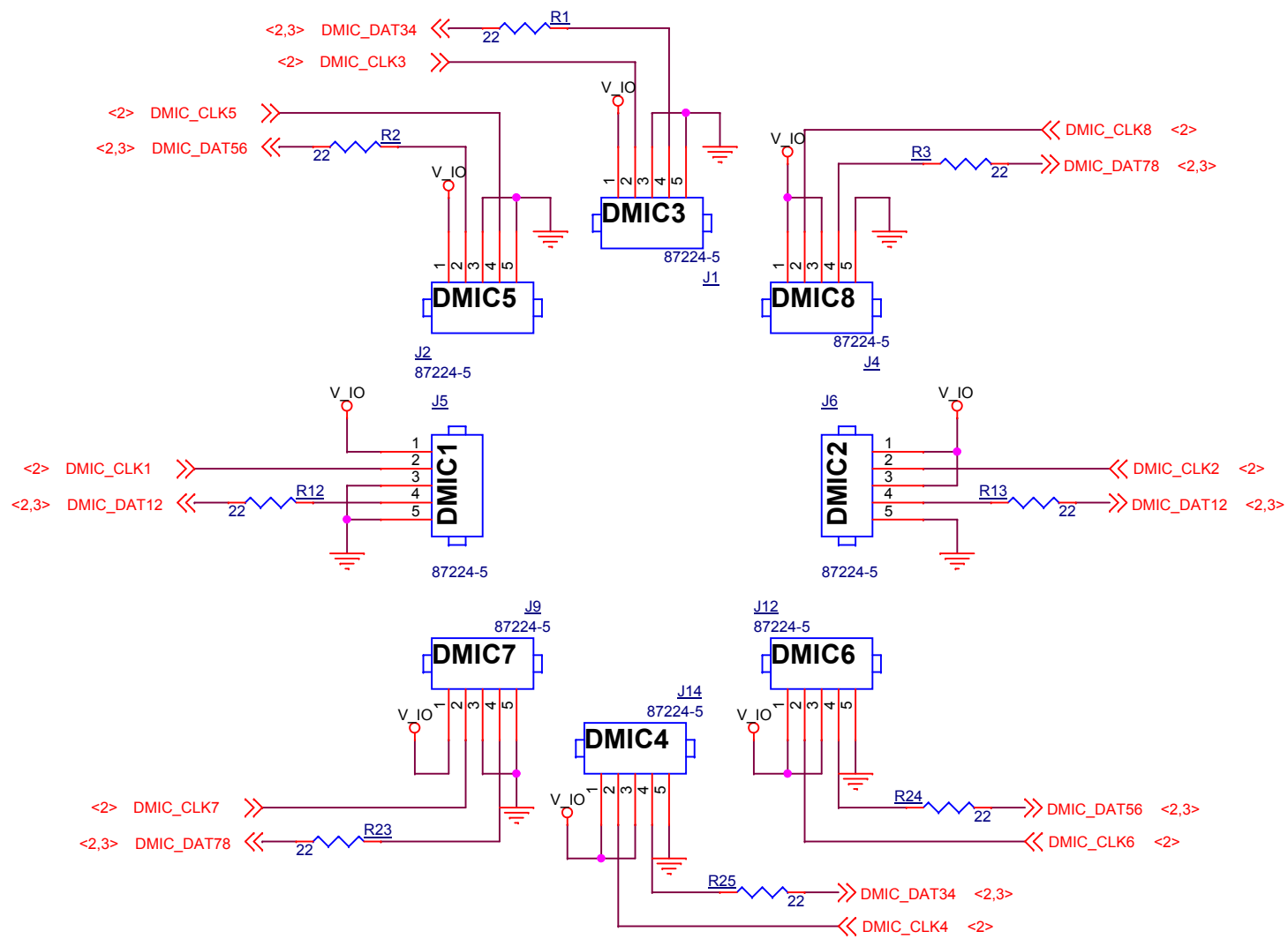
ADD LARGE TEMPO LOGO AND  
"TSDP18x Evaluation Board"



**Tempo Semiconductor, Inc.**  
8627 N. Mopac Expy.  
Suite 130  
Austin, TX 78759  
tel: (512) 827-3440  
fax: (512) 318-2478

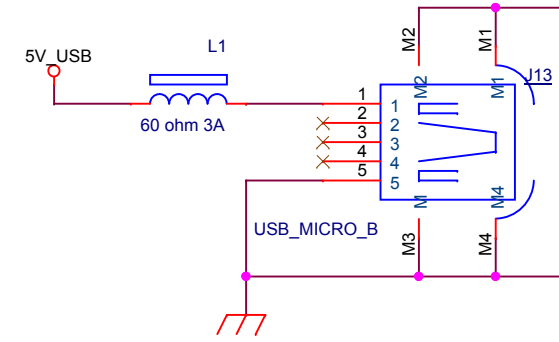
Title <b>Seattle Evaluation Board</b>			Consumer Audio
Size Custom A	Rev A	Document Number Seattle	
Date: Tuesday, April 10, 2018			Sheet 2 of 3

# 8-channel Microphone Array

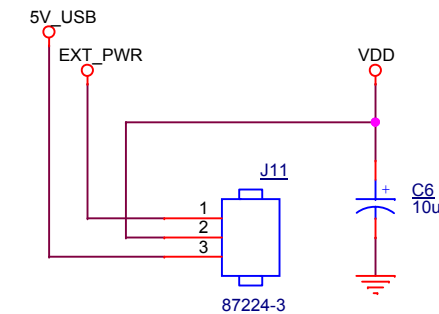
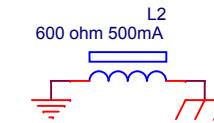


PLACE SILKSCREEN  
"DMICx"  
NEAR HEADERS

## USB POWER

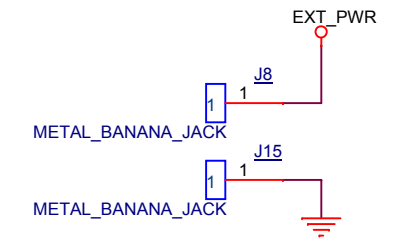


PLACE SILKSCREEN  
"USB MICRO B" NEAR JACK



PLACE SILKSCREEN "POWER" NEAR HEADER  
Place small "EXT" near pin 1  
Place small "USB" near pin 3

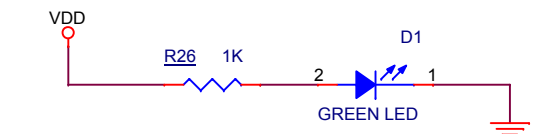
## EXTERNAL POWER



PLACE SILKSCREEN  
"EXTERNAL PWR" NEAR JACKS

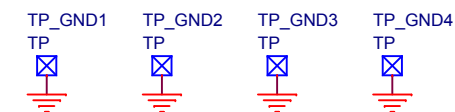
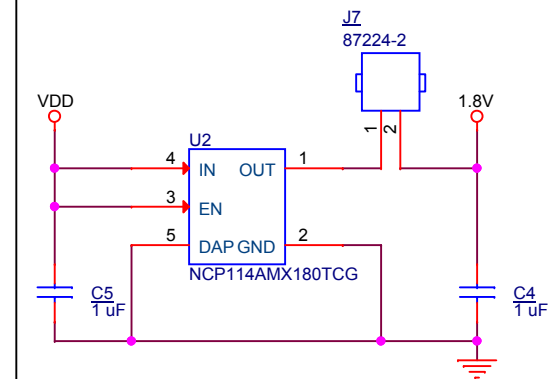
## POWER INDICATOR

PLACE NEAR J11 AND SILK



Remove LED resistor for current measurement,  
if necessary.

## 1.8V REGULATOR



Tempo Semiconductor, Inc.  
8627 N. Mopac Expy.  
Suite 130  
Austin, TX 78759  
tel: (512) 827-3440  
fax: (512) 318-2478

Title <b>Seattle Evaluation Board</b>			Consumer Audio
Size Custom A	Rev A	Document Number Microphone Array / Power	
Date: Tuesday, April 10, 2018			Sheet 3 of 3