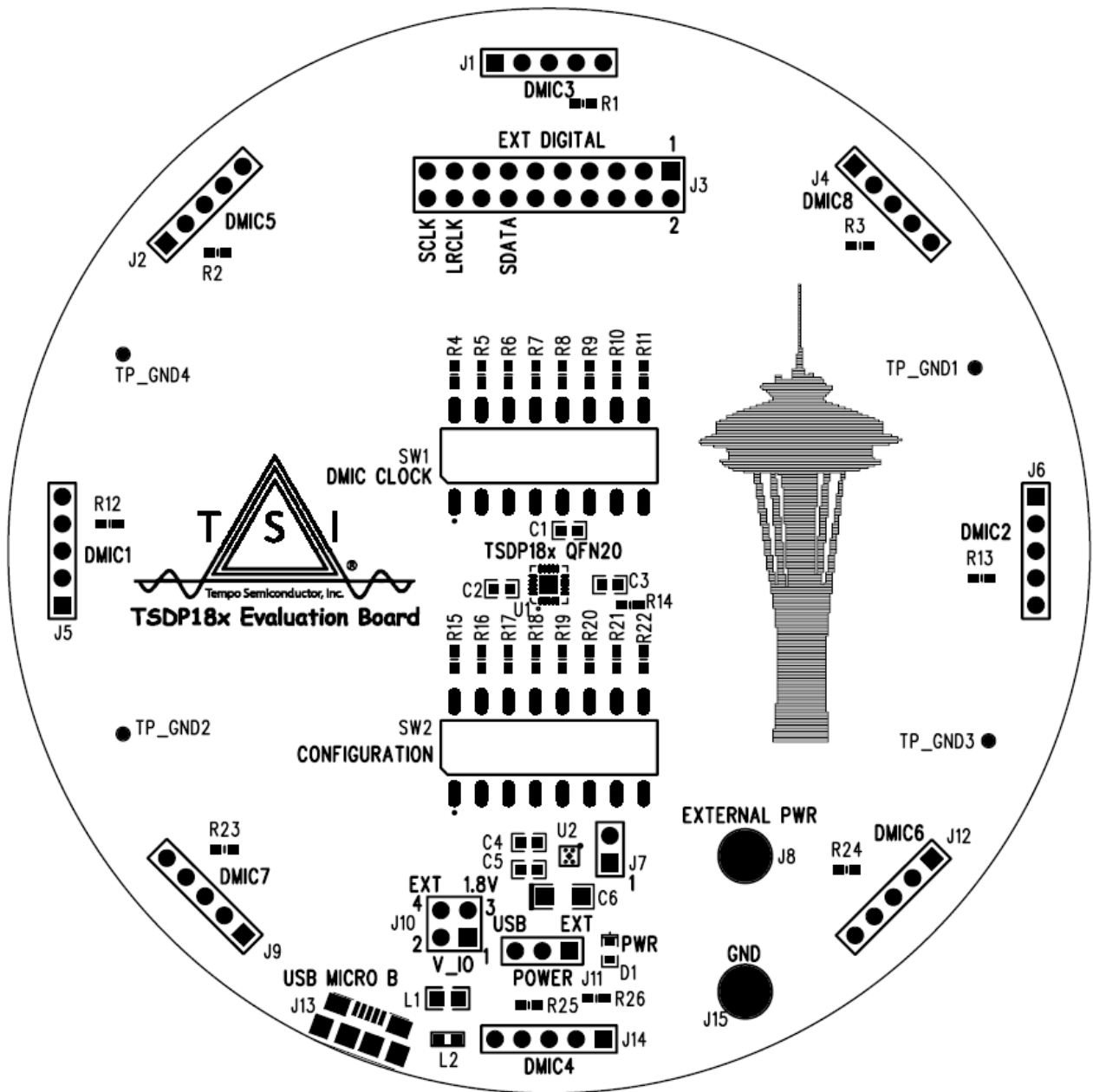


# TEMPO SEMICONDUCTOR, INC.

## TSDP18X EVALUATION BOARD USER GUIDE

REV 0.1 (APRIL 27, 2018)



## TSDP18x Supported Modes

Valid PCM Word Slots in TDM Mode SCLK to LRCLK Ratio									
Word Length	512	384	256	192	128	96	64	48	32
32	8	8	8	6	4	3	2	N/A	N/A
24	8	8	8	8	5*	4	2*	2	N/A
16	8	8	8	8	8	6	4	3	2

TDM Mode PCM Word Slot Availability based on SCLK to LRCLK Ratio and Word Length

## I2S Configuration

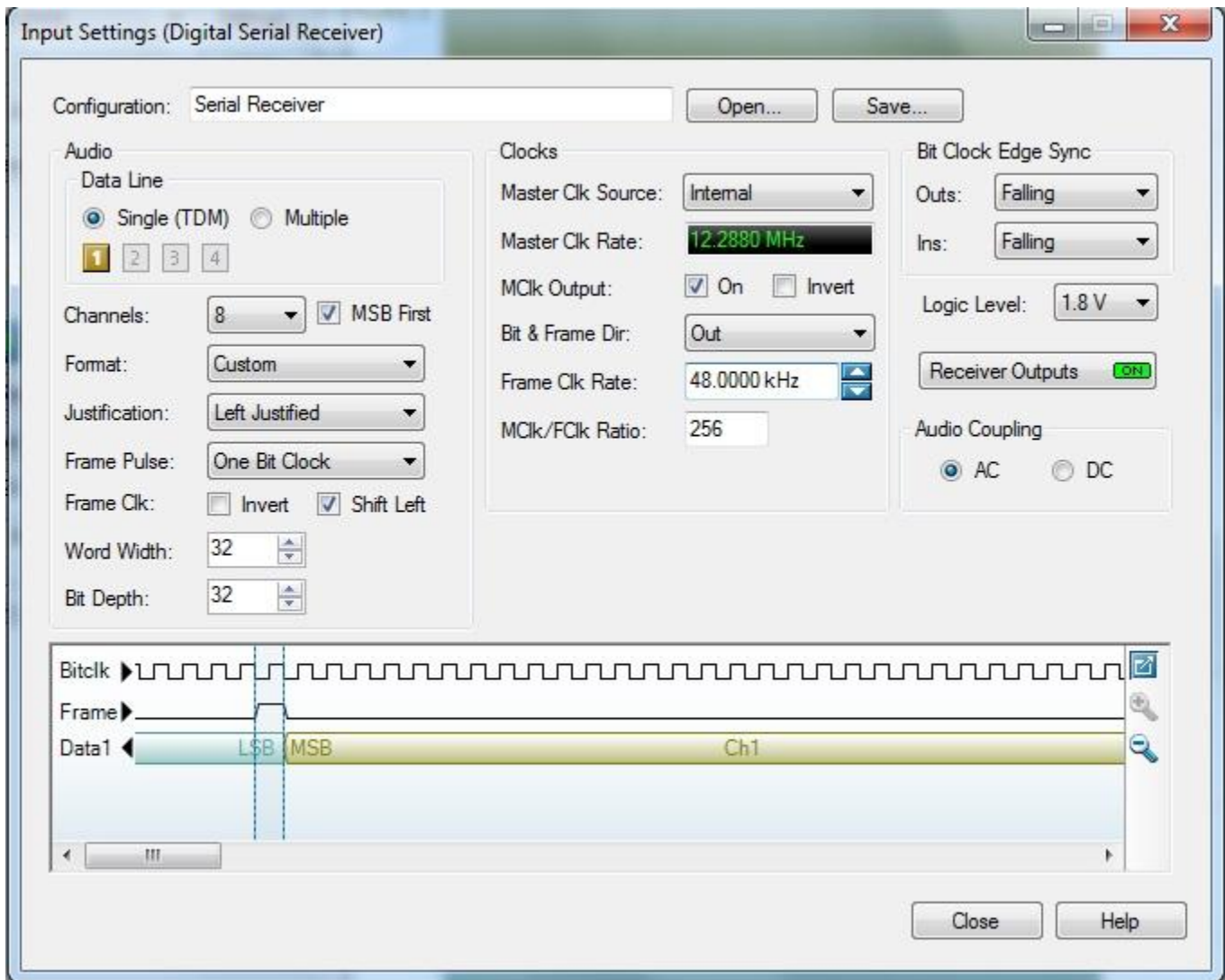
The screenshot displays the 'Input Settings (Digital Serial Receiver)' configuration window. The configuration is set to 'Serial Receiver'. Key settings include:

- Audio:** Data Line is 'Single (TDM)'. Channels are set to 2 with 'MSB First' checked. Format is 'I2S', Justification is 'Left Justified', Frame Pulse is 'One Subframe', Word Width is 32, and Bit Depth is 32.
- Clocks:** Master Clk Source is 'Internal' at 3.07200 MHz. MClk Output is 'On'. Bit & Frame Dir is 'Out'. Frame Clk Rate is 48.0000 kHz. MClk/FClk Ratio is 64.
- Bit Clock Edge Sync:** Outs and Ins are both 'Rising'. Logic Level is 1.8 V. Receiver Outputs are 'ON'.
- Audio Coupling:** 'AC' is selected.

The timing diagram at the bottom shows a square wave for 'Bitclk', a pulse for 'Frame', and a data signal for 'Data1' (Ch1) with 'LSB' and 'MSB' markers indicating the bit positions within the frame.

This figure shows an example of a typical timing configuration required to support I2S modes. Please note the SCLK and LRCLK relationship, and edge directions.

## TDM Configuration



This figure shows an example of a typical timing configuration required to support TDM modes. Please note the SCLK and LRCLK relationship, and edge directions.

## **Power Connections**

The TSDP18x evaluation board can be powered externally in several ways. The part itself needs two voltages, 1.8V for its main supply, and V\_IO which must match the signaling voltage, and can range from 1.8V to 3.3V.

There is a 1.8V LDO regulator (U2) on the board that can provide 1.8V and it is supplied from either the USB Micro B connector or the External Pwr connection. The jumper at J11 determines which of these inputs provide the source voltage to the LDO. A green LED will indicate that power is being supplied to the LDO. The jumper at J7 must be installed to provide the 1.8V output from the LDO to the TSDP18x itself.

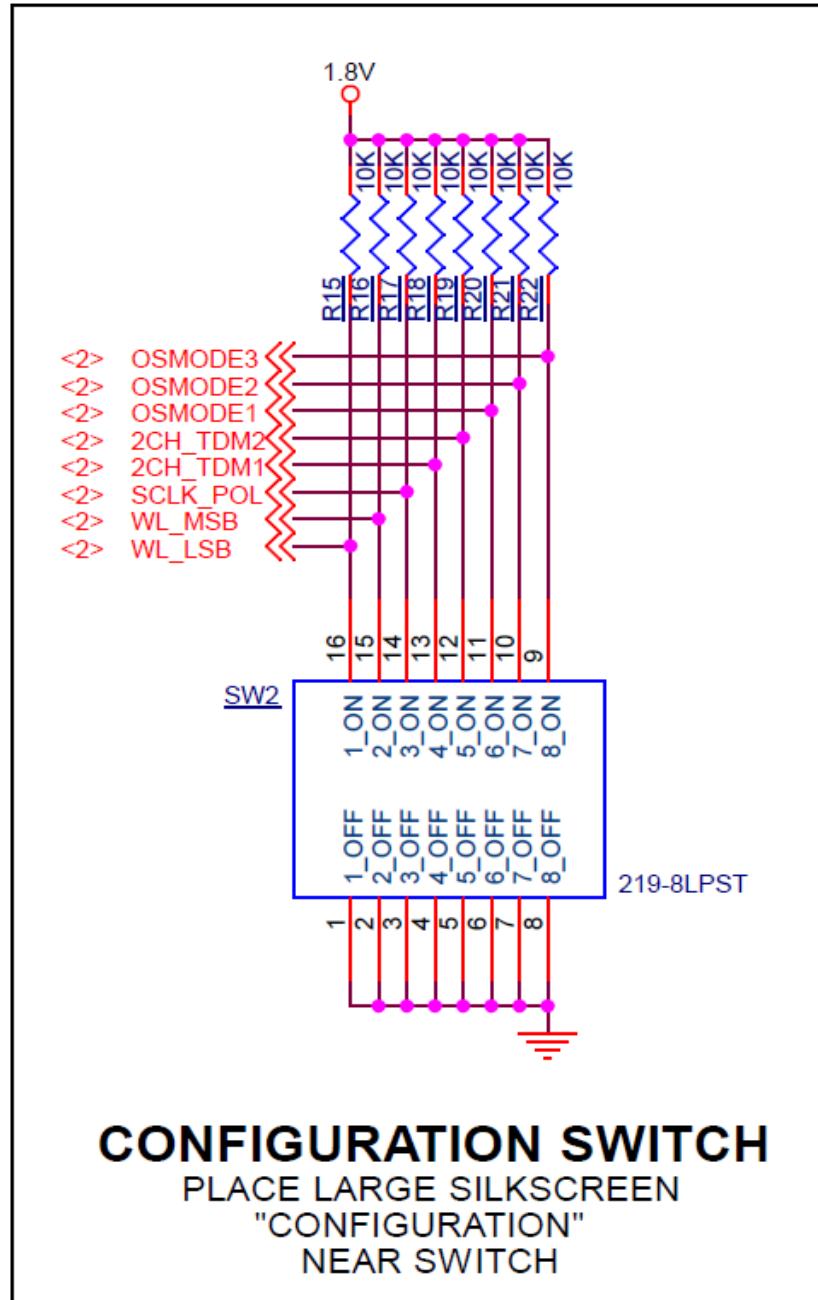
External power can be provided from either the bench supply connectors, J8 and J15, or from the External Digital header, pins 1 and 3. They should be between 2.5V and 5V.

V\_IO can be provided from the 1.8V regulator or from an external source. Jumpering 1/3 on connector J10 will use the 1.8V LDO and 2/4 will use an external I/O voltage supplied from the External Digital header, J3 pins 7 and 9.

There are 4 GND test points located at the edges of the board.

## SW2 - Configuration Switch

When "ON" this switch will provide a logical low ("0") or GND to the input signal. When "OFF" it will provide a logical high ("1") or V<sub>IO</sub> pull-up voltage to the input signal.



	2CH_TDM1	2CH_TDM2
I2S Mode 0, 1 Channel Output Mode, Double-Edged Clocking on PDM Sources	0	0
I2S Mode 1, 2 Channel Output Mode, Single-Edged Clocking on PDM Sources	0	1
Left-Justified, 2 Channel Output Mode, Double-Edged Clocking on PDM Source	1	0
TDM, up to 8 Channel Output Mode, Double-Edged Clocking on PDM Source	1	1

**Configuring the PCM Output Format using the 2CH\_TDM1 and 2CH\_TDM2 Pins**

	WL_MSB	WL_LSB
PCM Word Length = 32-bits	0	0
PCM Word Length = 24-bits	0	1
Reserved	1	0
PCM Word Length = 16-bits	1	1

**PCM Word Length Configuration using WL\_MSB and WL\_LSB Pins**

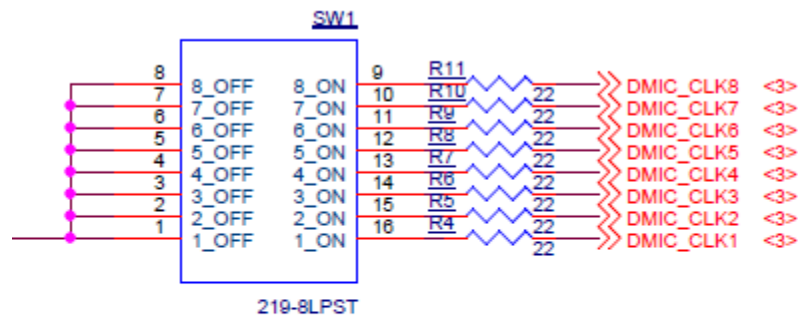
OS_MODE3	OS_MODE2	OS_MODE1	Oversample Rate	Bandwidth at -1dB (Normalized)	Typical Fs Range (kHz)	Valid SCLK / LRCLK Ratios for Corresponding OS_MODE Pin Selection
0	0	0	N/A	N/A	N/A	Reserved
0	0	1	N/A	N/A	N/A	Reserved
0	1	0	8	0.1189	256 to 384	32, 48, 64, 96, 128
0	1	1	16	0.2268	128 to 192	32, 48, 64, 96, 128, 192, 256
1	0	0	32	0.4536	64 to 96	32, 64, 96, 128, 192, 256, 384, 512
1	0	1	48	0.4536	48 to 64	48, 96
1	0	1	64	0.4536	32 to 48	64, 128, 192, 256, 384, 512
1	1	0	96	0.4536	24 to 32	96, 192
1	1	0	128	0.4536	16 to 24	128, 256, 384, 512
1	1	1	192	0.4536	8 to 16	192, 384
1	1	1	256	0.4536	8 to 12	256, 512

**Configuring the Oversampling Mode using OS\_MODE3, OS\_MODE2, OS\_MODE1 Pins**

## SW1 - DMIC Clock Switch

This switch connects the single PDM clock output from the part to each of the eight DMIC connectors. When the switch is set to "ON" the connection is made from pin U1.14 to each of the DMIC connector clock pins, Jx.pin2.

Note: due to the different microphone array options, this node has the potential of variable loading and signal reflections that may produce non-monotonic clock edges or violate timing requirements at the DMIC connectors. For any testing or DMIC connections, the signal integrity must be validated at all destinations. This may involve replacing the series termination resistors, or modifying the connections to the DMIC connectors themselves to make sure that the PDM clock output arrives with the correct setup and hold timings for testing or for the microphone array being evaluated.



**DMIC CLOCK SWITCH**  
PLACE LARGE SILKSCREEN  
"DMIC CLOCK"  
NEAR SWITCH

### J3 - External Digital Header

This header provides the digital interface to the TSDP18x. There are connections for the signals as well as power.

Pin 20 - input for SCLK

Pin 18 - input for LRCLK (frame clock)

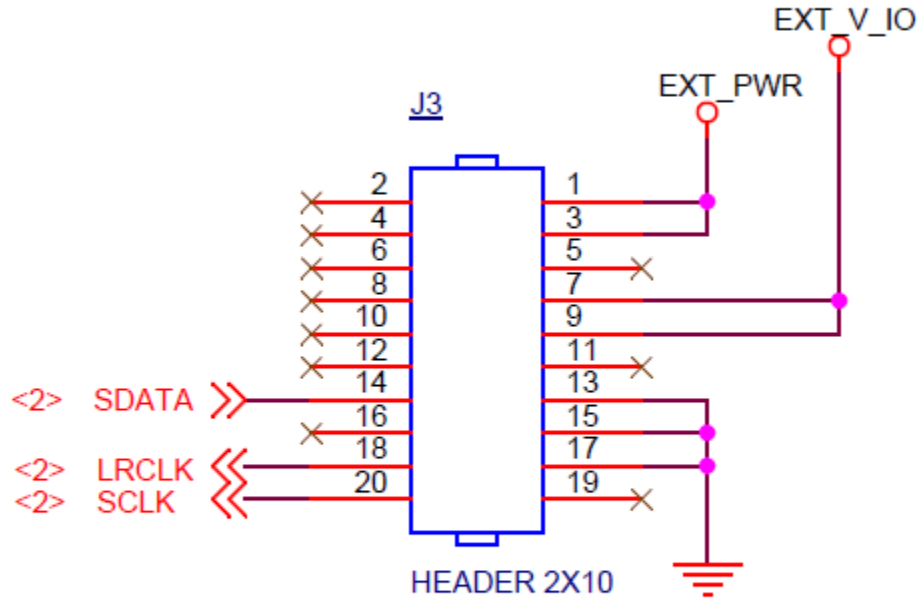
Pin 14 - output of SDATA

Pins 1/3 - external power supply connection

Pins 7/9 - external V<sub>IO</sub> supply connection

Pins 13/15/17 - GND

Other pins - unused



PLACE LARGE SILKSCREEN  
"EXTERNAL DIGITAL"  
NEAR HEADER



## DMIC Connectors – (J5/J6 )/ (J1/J14) / (J2/J12) / (J9/J4)

There are 8 DMIC connectors available for connecting the various array options. They are paired, and pin 3 on each of the connectors will be strapped either to V\_IO or GND to select the rising/falling PDM clock edge.

DMIC1/DMIC2 – Use the base pair for I2S, other stereo, and all other array configurations.

DMIC3/DMIC4 – Add pair for quad array configurations.

DMIC5/DMIC6 – Add pair for hex array configurations.

DMIC7/DMIC8 – Add pair for octal array configurations.

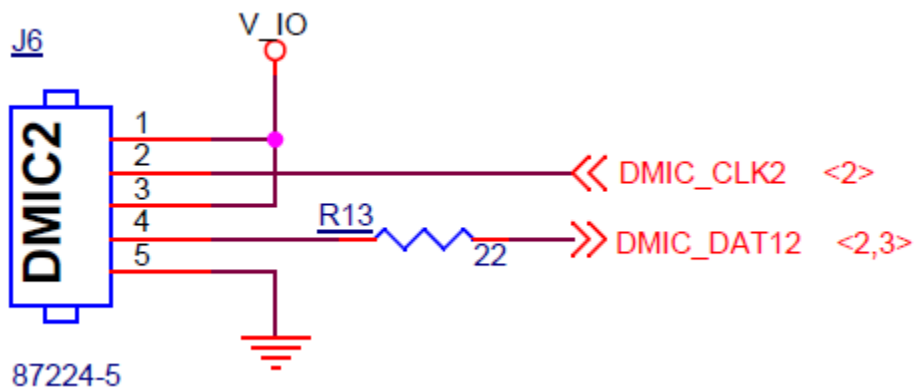
Pin 1 – V\_IO power

Pin 2 – PDM Clock

Pin 3 – Select PCM clock edge for data

Pin 4 – PDM Data (paired with other channel DMIC connector)

Pin 5 - GND



Example DMIC Connector Signal Connections

## **Errata (27Apr18):**

-The DMIC5 had its clock and data connections incorrectly swapped in the schematic. A rework is required to swap the connections between pins 2 and 4.



### DISCLAIMER

Tempo Semiconductor, Inc. (TSI) and its subsidiaries reserve the right to modify the products and/or specifications described herein at any time and at TSI's sole discretion. All information in this document, including descriptions of product features and performance, is subject to change without notice. Performance specifications and the operating parameters of the described products are determined in the independent state and are not guaranteed to perform the same way when installed in customer products. The information contained herein is provided without representation or warranty of any kind, whether express or implied, including, but not limited to, the suitability of TSI's products for any purpose, an implied warranty of merchantability, or non-infringement of the intellectual property rights of others. This document is presented only as a guide and does not convey any license under intellectual property rights of TSI or any third parties.

TSI's products are not intended for use in life support systems or similar devices where the failure or malfunction of an TSI product can be reasonably expected to significantly affect the health or safety of users. Anyone using an TSI product in such a manner does so at their own risk, absent an express, written agreement by TSI.