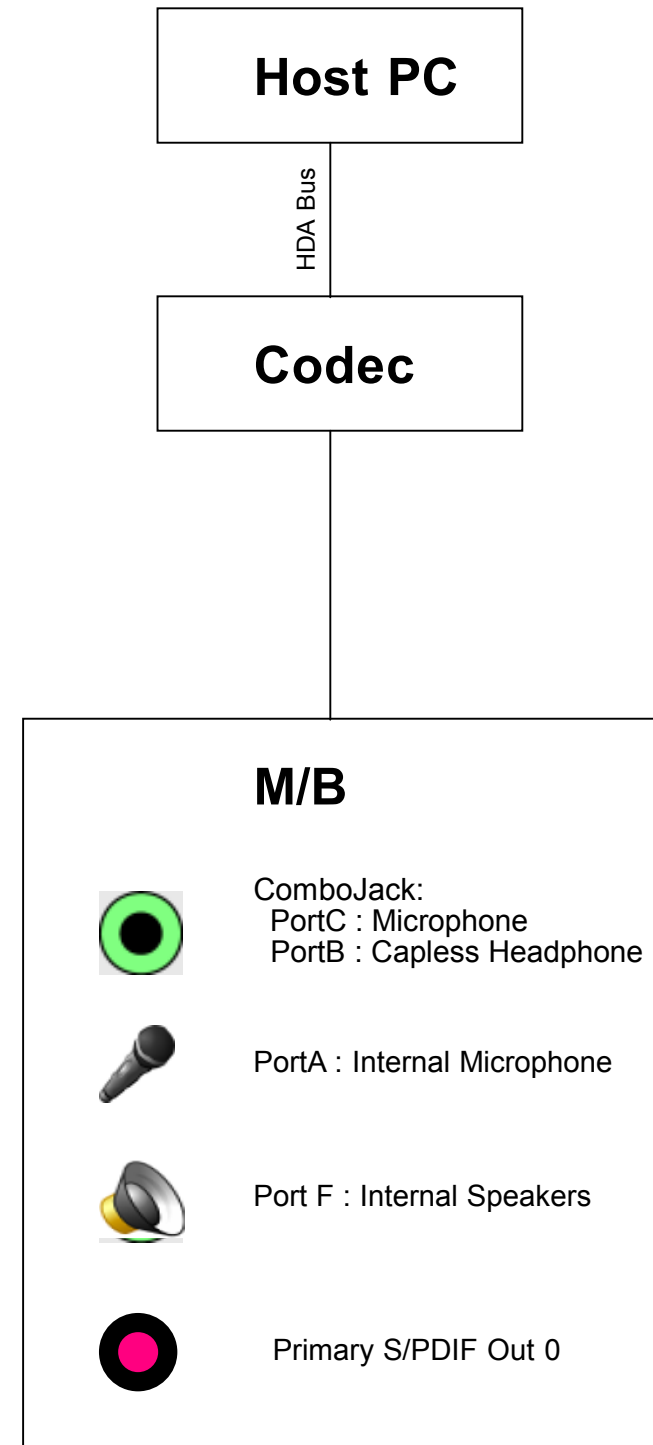


# Tempo 92HD66C/66B REFERENCE DESIGN (40-pin)

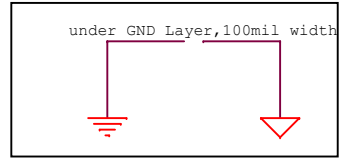
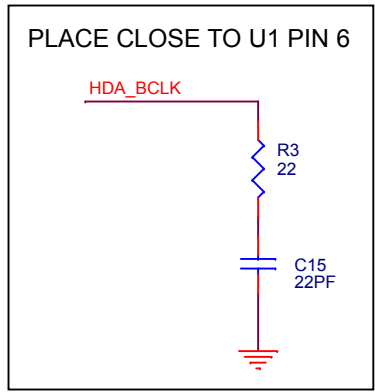
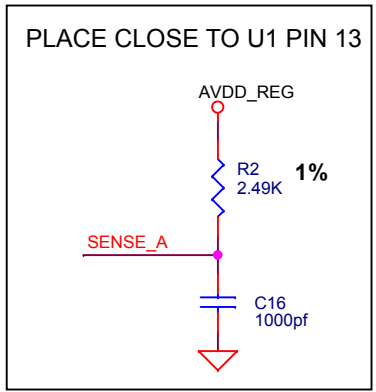
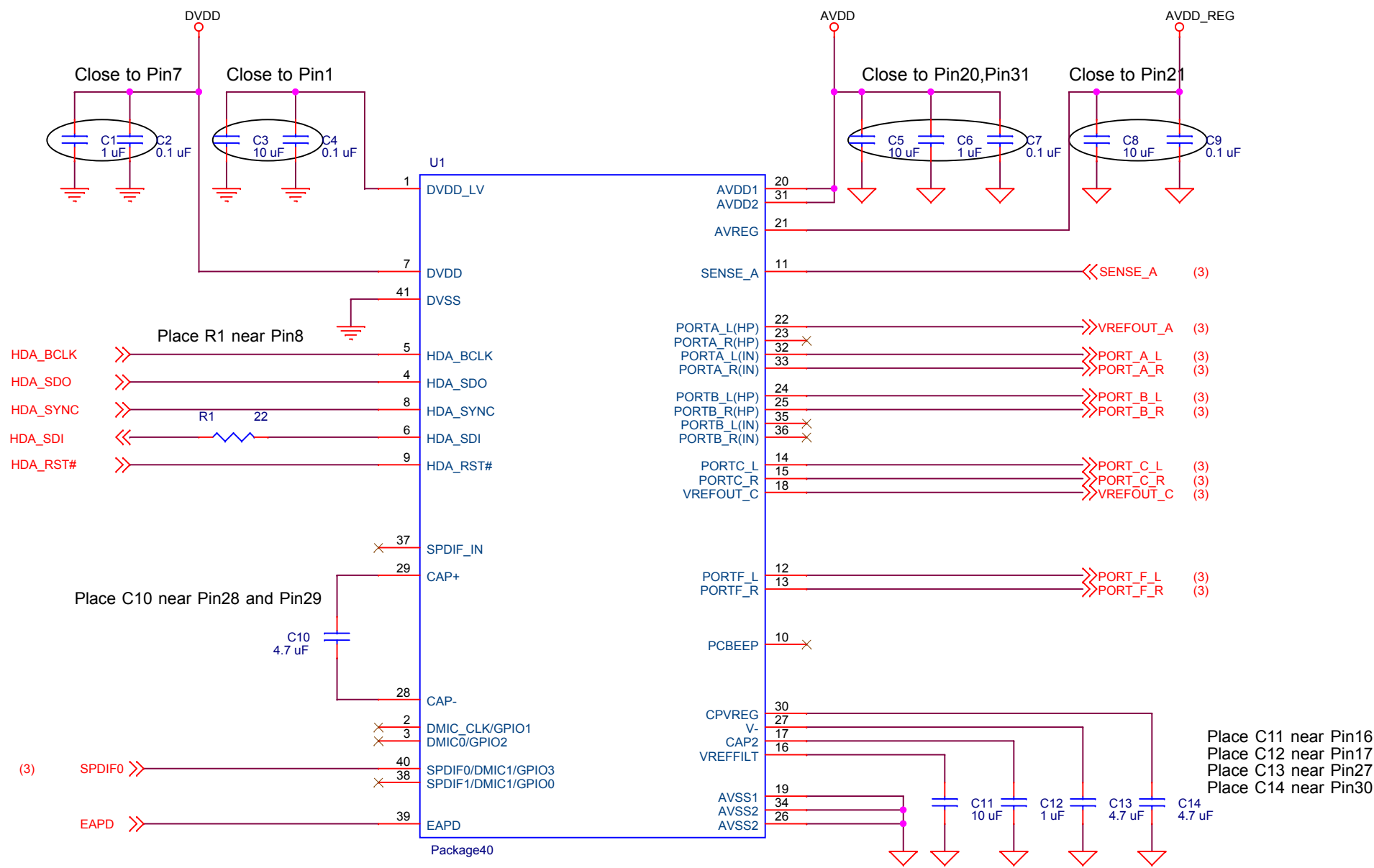
The Tempo 92HD66C (6-channel) and 92HD66B (4-channel) are a family of High Definition Audio (HDA) codecs.

This schematic shows a basic reference design for a system that uses either the 92HD66C or 92HD66B. It includes combo jack, internal speaker and microphone. Check with your Tempo support representative for examples and requirements of other applications.



REV	DATE	DESCRIPTION	CHANGED BY
A	23Oct18	Release	KAL

		<b>Tempo Semiconductor, Inc.</b> 8627 N. Mopac Expy. Suite 130 Austin, TX 78759 tel: (512) 827-3440 fax: (512) 318-2478	
Title <b>Tempo 92HD66C/66B Reference Design</b>			
Size	Rev	Document Number	HDA PC Audio
Custom A	A	Tempo 92HD66C/66B Reference Design	
Date: Tuesday, October 23, 2018			Sheet 1 of 3



	Sense A
39.2K	Port A
20K	Port B
10K	Port C
5.1K	Port F

Tempo Semiconductor, Inc.  
8627 N. Mopac Expy.  
Suite 130  
Austin, TX 78759  
tel: (512) 827-3440  
fax: (512) 318-2478

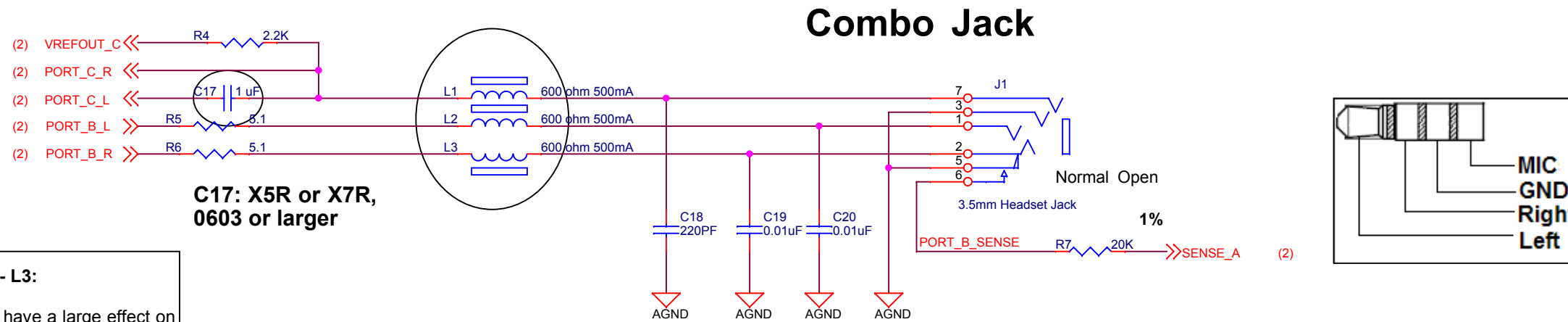
Title  
**Tempo 92HD66C/66B Reference Design**

Size Custom A	Rev A	Document Number Codec
------------------	----------	--------------------------

Date: Tuesday, October 23, 2018

HDA PC Audio

Sheet 2 of 3

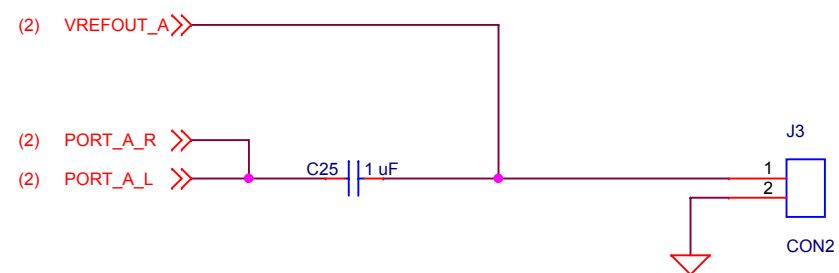


#### COMPONENT CHOICES ON L1 - L3:

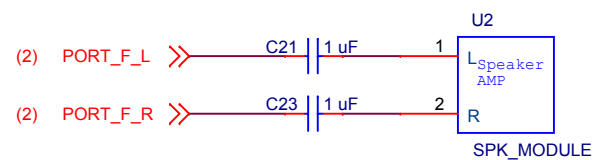
The selection of ferrite beads can have a large effect on THD+N, causing failures versus the WLP requirements. At this time, IDT has verified three ferrite beads that will meet the WLP performance requirements:

- Murata: BLM18BD601SN1
- TDK: MMZ1608Y601BTA
- Taiyo Yuden: LF BK 1608HM601-T

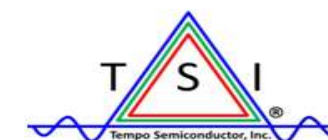
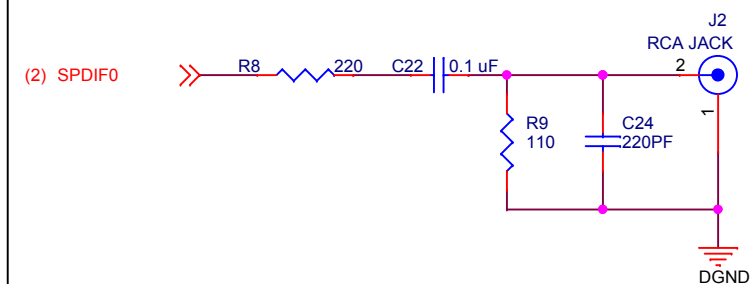
### Internal Microphone Header



### Internal Speaker Connection



### S/PDIF\_OUT0



Tempo Semiconductor, Inc.  
 8627 N. Mopac Expy.  
 Suite 130  
 Austin, TX 78759  
 tel: (512) 827-3440  
 fax: (512) 318-2478

Title <b>Tempo 92HD66C/66B Reference Design</b>			
Size Custom A	Rev A	Document Number Ports	HDA PC Audio
Date: Tuesday, October 23, 2018			Sheet 3 of 3