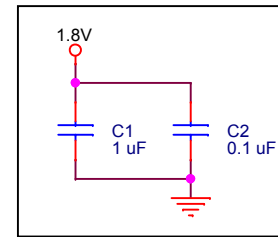
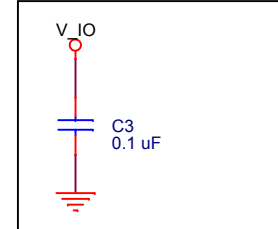


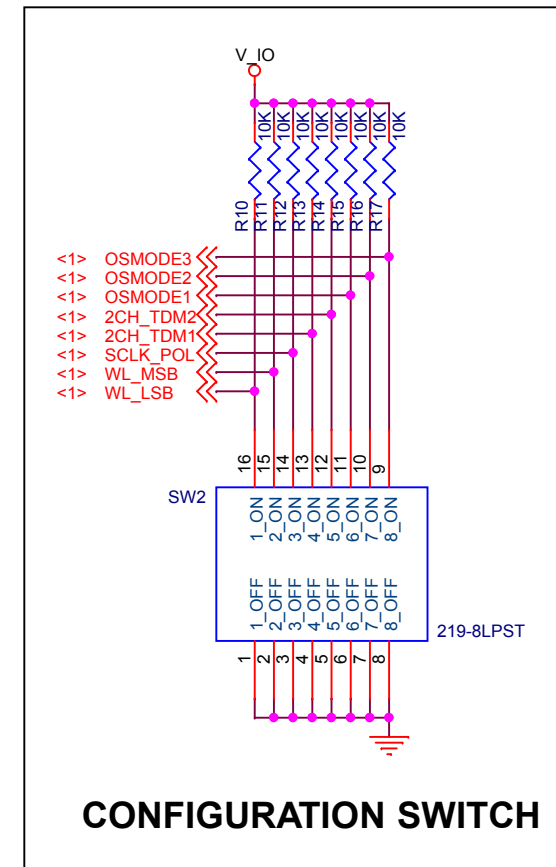
Place near pin 19, 9



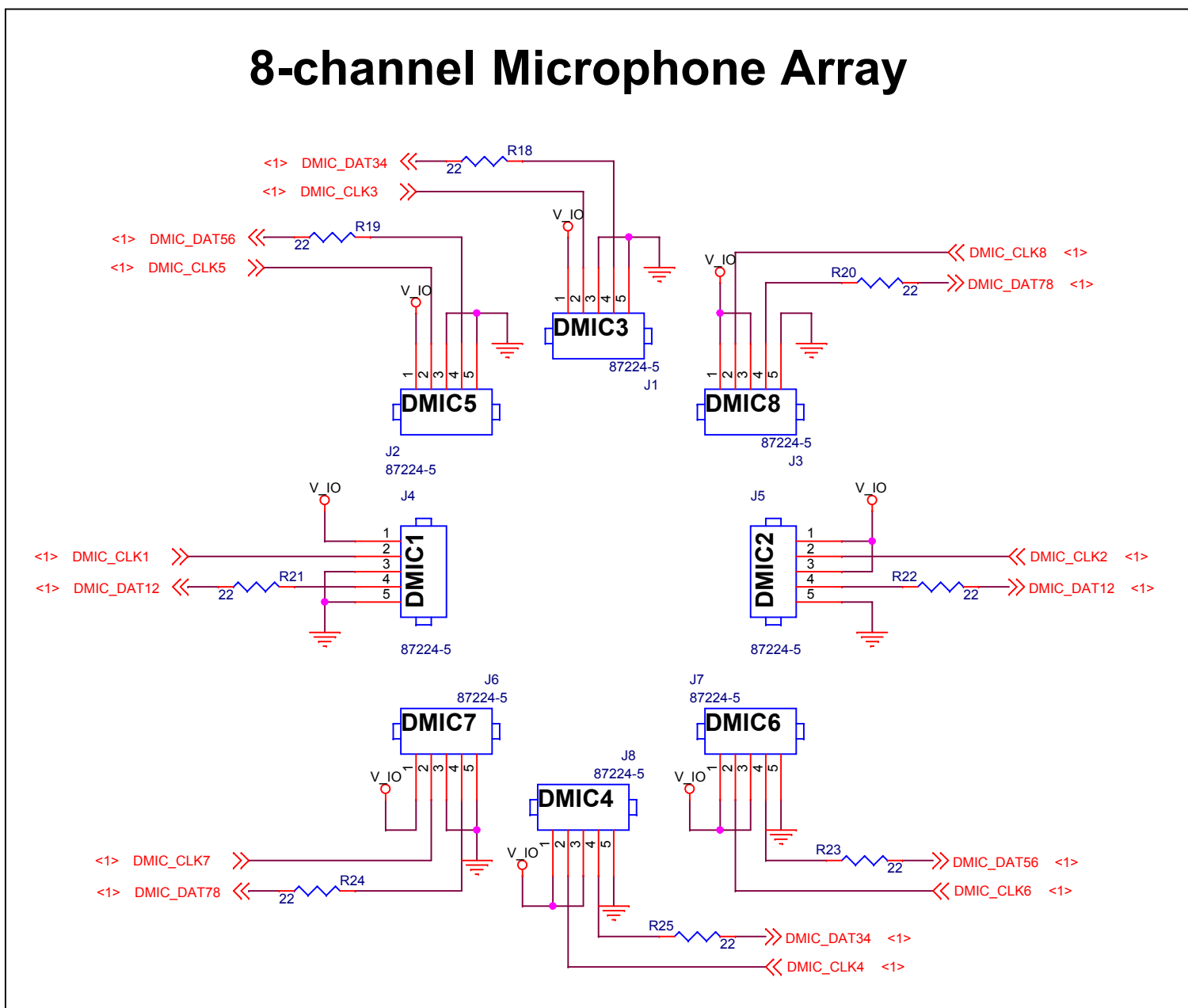
Place near pin 12



**V_IO CAN BE EITHER
1.8V OR 3.3V**



8-channel Microphone Array



Series termination values will need to be adjusted for the specific design implementation.



Tempo Semiconductor, Inc.
8627 N. Mopac Expy.
Suite 130
Austin, TX 78759
tel: (512) 827-3440
fax: (512) 318-2478

Title TSDP18x Reference Schematic			Consumer Audio
Size Custom A	Rev A	Document Number TSDP18x Octal PDM to 24-bit TDM	
Date: Friday, June 28, 2019			Sheet 1 of 1