

TSDP18x Evaluation Board

This board is designed to provide both a verification and an evaluation platform for the TSDP18x Octal PDM to 24-bit TDM controller.

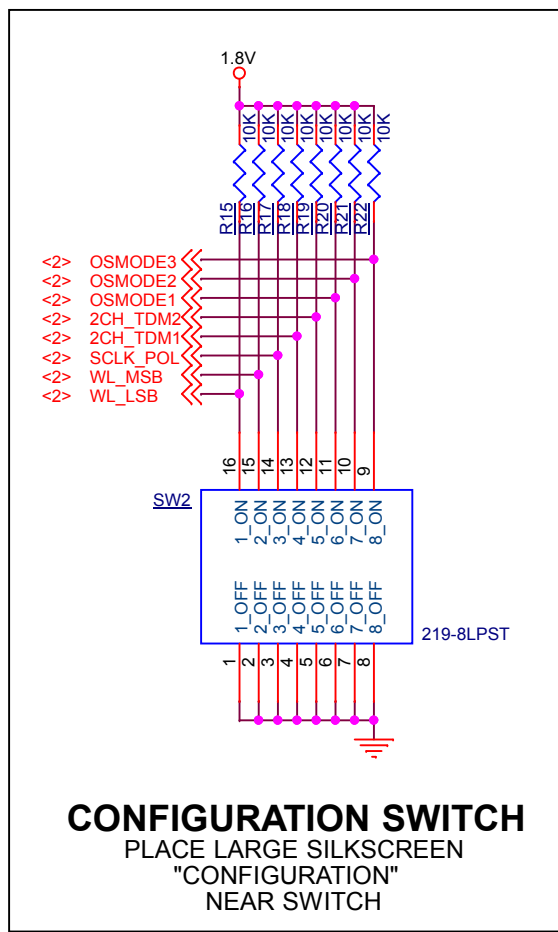


INDEX

- Page 1: Cover Sheet
- Page 2: TSDP18x
- Page 3: Microphone Array

REV	DATE	DESCRIPTION	CHANGED BY
A	05Apr18	Gerber	KAL
B	20Aug18	Gerber, J2 errata fix	KAL

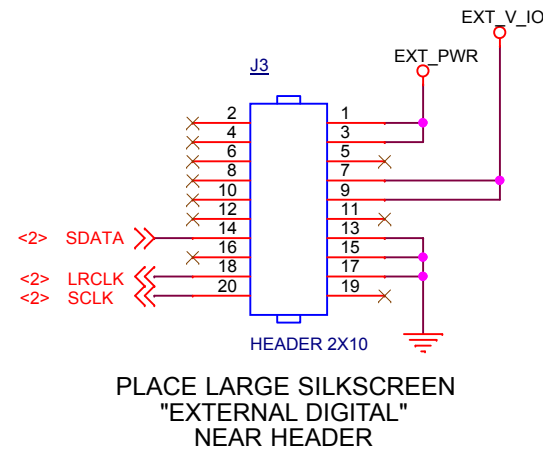
		Tempo Semiconductor, Inc. 8627 N. Mopac Expy. Suite 130 Austin, TX 78759 tel: (512) 827-3440 fax: (512) 318-2478	
Title TSDP18x Evaluation Board			
Size	Rev	Document Number	Consumer Audio
Custom B		Cover Sheet	
Date: Tuesday, July 02, 2019			Sheet 1 of 3



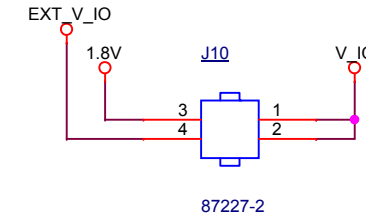
CONFIGURATION SWITCH
PLACE LARGE SILKSCREEN
"CONFIGURATION"
NEAR SWITCH

ERRATA:
CONFIGURATION PULL-UP
RESISTORS SHOULD BE
PULLED-UP TO V_{IO}

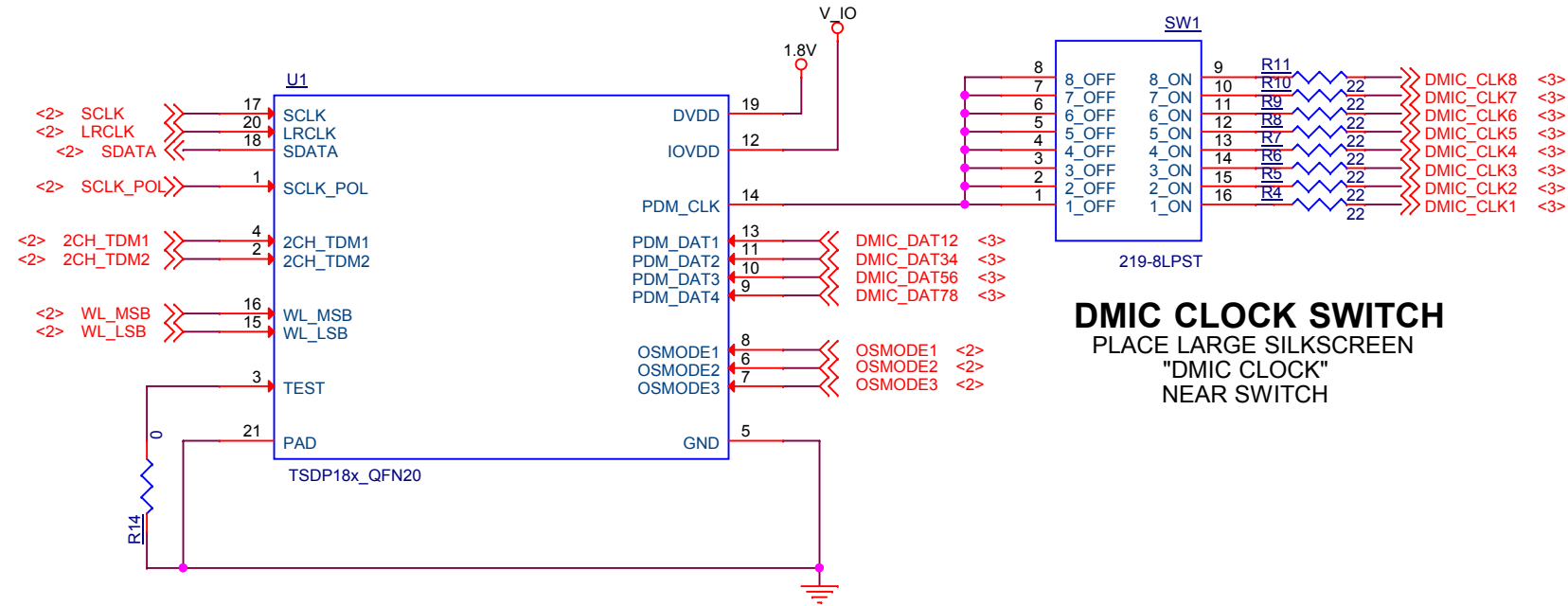
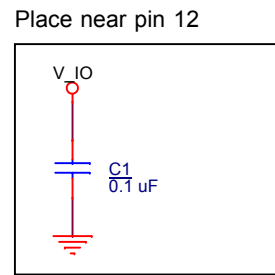
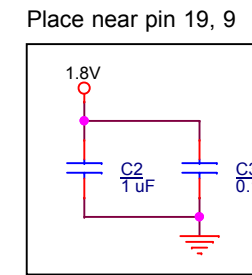
Note: Eval board will continue to work correctly even with 3.3V V_{IO}, so no rework is required. However, the voltage at the pins will be below the 0.7 x V_{IO} V_{ih} specification.



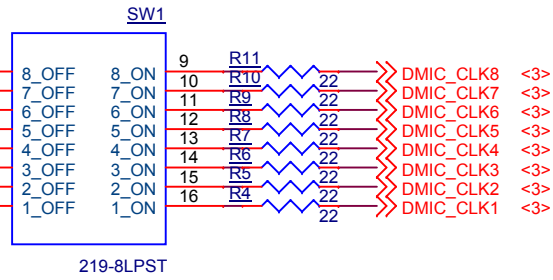
PLACE LARGE SILKSCREEN
"EXTERNAL DIGITAL"
NEAR HEADER



PLACE SILKSCREEN
"V_{IO}"
NEAR HEADER



PLACE LARGE SILKSCREEN "TSDP18x QFN20" NEAR CONVERTER



DMIC CLOCK SWITCH
PLACE LARGE SILKSCREEN
"DMIC CLOCK"
NEAR SWITCH

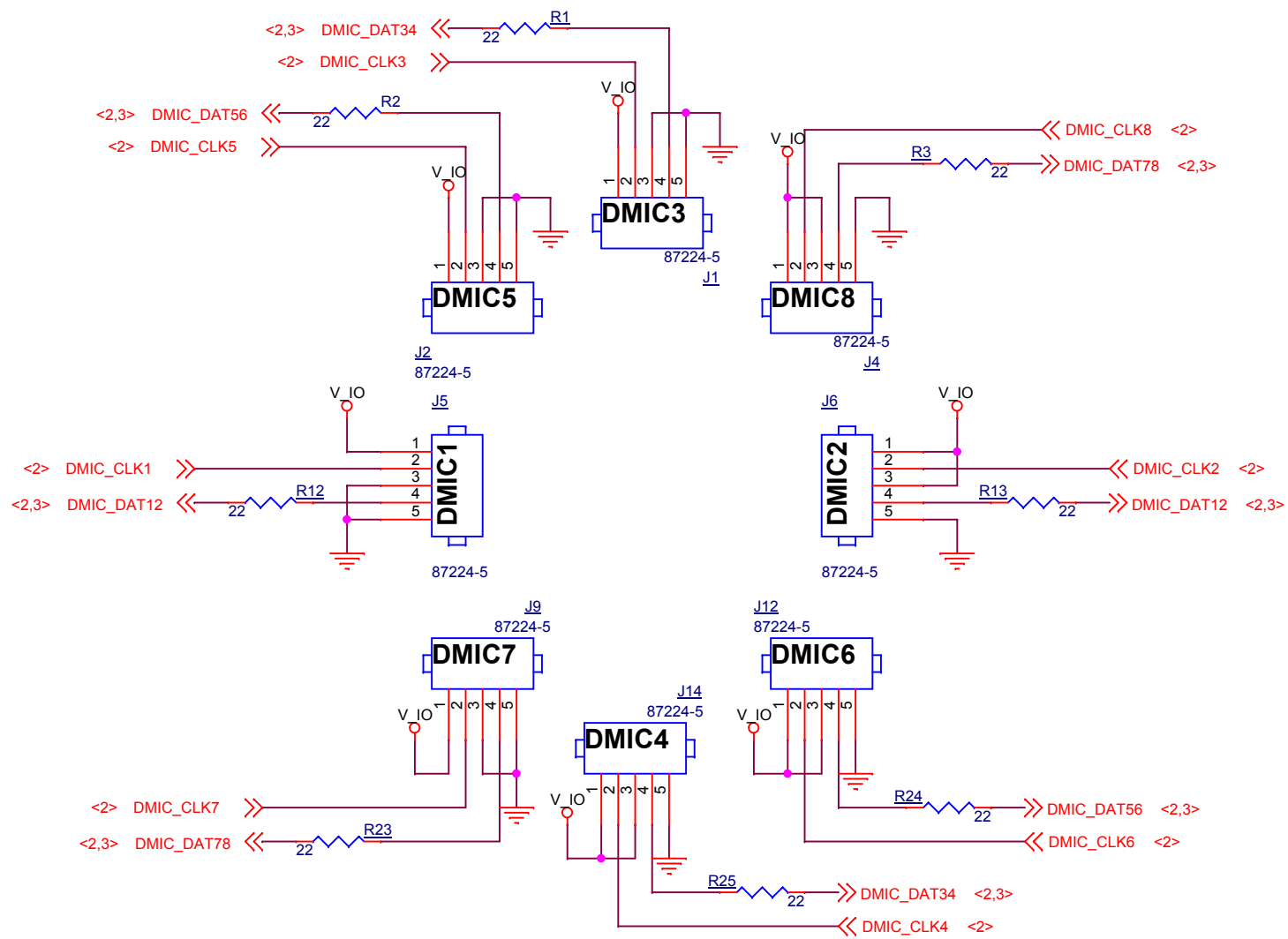
ADD LARGE TEMPO LOGO AND
"TSDP18x Evaluation Board"



Tempo Semiconductor, Inc.
8627 N. Mopac Expy.
Suite 130
Austin, TX 78759
tel: (512) 827-3440
fax: (512) 318-2478

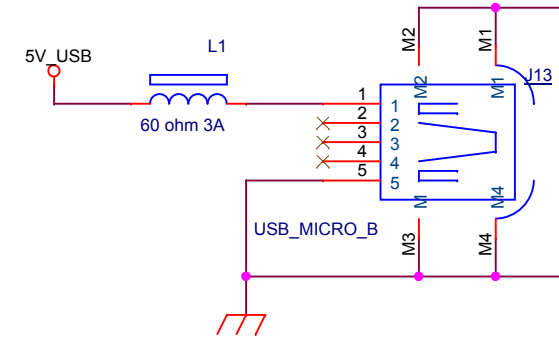
Title TSDP18x Evaluation Board			Consumer Audio
Size Custom B	Rev B	Document Number Seattle	
Date: Tuesday, July 02, 2019			Sheet 2 of 3

8-channel Microphone Array

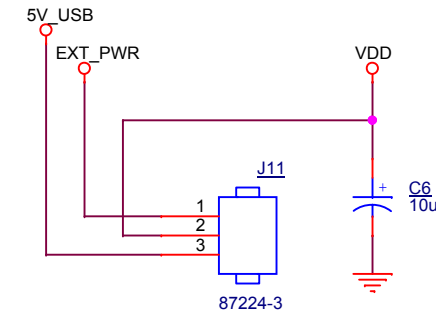
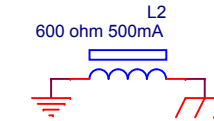


PLACE SILKSCREEN
"DMICx"
NEAR HEADERS

USB POWER

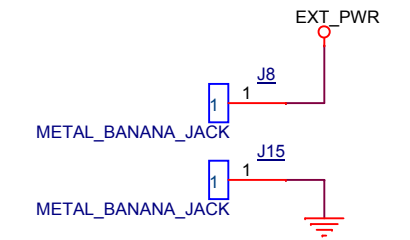


PLACE SILKSCREEN
"USB MICRO B" NEAR JACK



PLACE SILKSCREEN "POWER" NEAR HEADER
Place small "EXT" near pin 1
Place small "USB" near pin 3

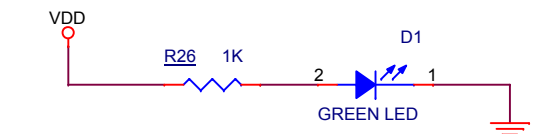
EXTERNAL POWER



PLACE SILKSCREEN
"EXTERNAL PWR" NEAR JACKS

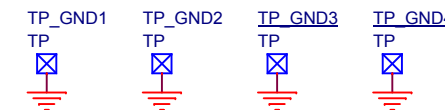
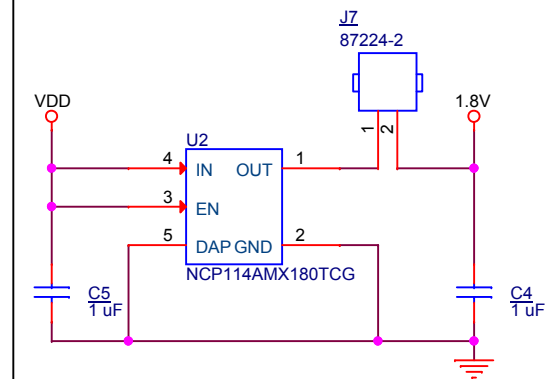
POWER INDICATOR

PLACE NEAR J11 AND SILK



Remove LED resistor for current measurement,
if necessary.

1.8V REGULATOR



Tempo Semiconductor, Inc.

8627 N. Mopac Expy.
Suite 130
Austin, TX 78759

tel: (512) 827-3440
fax: (512) 318-2478

Title TSDP18x Evaluation Board			Consumer Audio
Size Custom B	Rev	Document Number Microphone Array / Power	
Date: Tuesday, July 02, 2019			Sheet 3 of 3